



### ■ Features

- Wide input range 100~305V AC( Class I )
- Full power output at 70~100% Constant power mode operation
- Metal case with IP67, suitable for outdoor application
- Class 2 power unit(except for L type)
- Surge protection with 6KV/4KV
- 3 in 1 dimming function (Dim to off and Isolation design)
- India (EESL) version with Input Over Voltage Protection can survive input voltage stress of 440Vac for 48 hours
- Protection functions: OVP/SCP/OCP/OTP
- Life time >50,000 hrs. and 5 years warranty

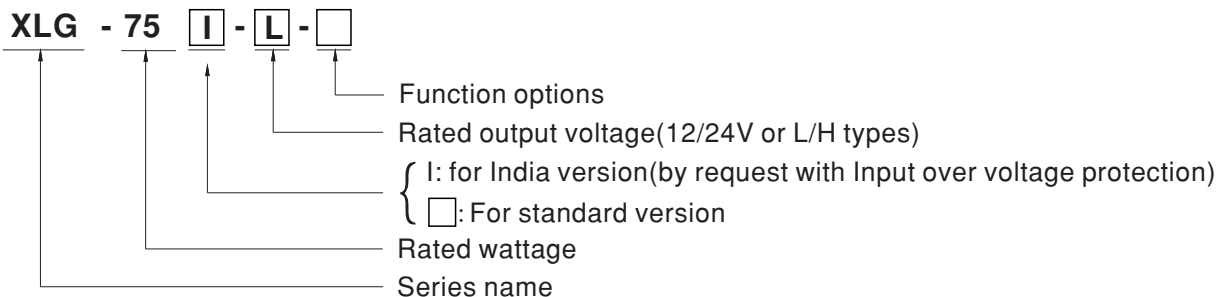
### ■ Applications

- Skyscraper lighting
- Street lighting
- Floodlight Lighting
- Stage lighting
- Fishing lighting
- Horticulture lighting
- Bay lighting
- DMX power supply
- Type HL for use in class I , Division 2

### ■ Description

XLG-75 series is a 75W LED AC/DC driver featuring the constant power mode. XLG-75 operates from 100~305VAC and offers models with different rated current ranging between 700mA and 5000mA. Thanks to the high efficiency up to 91%, with the fanless design, the entire series is able to operate for -40°C~+90°C case temperature under free air convection. The design of metal housing and IP67 ingress protection level allows this series to fit both indoor and outdoor applications. Moreover the innovative environment-adaptive capability allows this series to reliably light on the LEDs for all kinds of application environments in almost any spots that may install LED luminaires in the world. XLG-75 series comply with the latest version of IEC61347/GB7000.1-2015 and UL8750 international safety regulations. The output and dimming circuit are also completely in accordance with the new regulations with isolation to ensure the safety of both user and luminaire system during installation.

### ■ Model Encoding



| Type  | Function  | Note       |
|-------|---|------------|
| Blank | Io and Vo fixed.(For harsh environment)   | By request |
| A     | Io adjustable via built-in potentiometer  | In Stock   |
| AB    | Io adjustable via built-in potentiometer + 3 in 1 dimming function (0~10Vdc, 10V PWM signal and resistance) | In Stock   |

Note: 1. 12V and 24V models without the AB type  
2. India version needs MOQ for production, please consult MEANWELL for detail

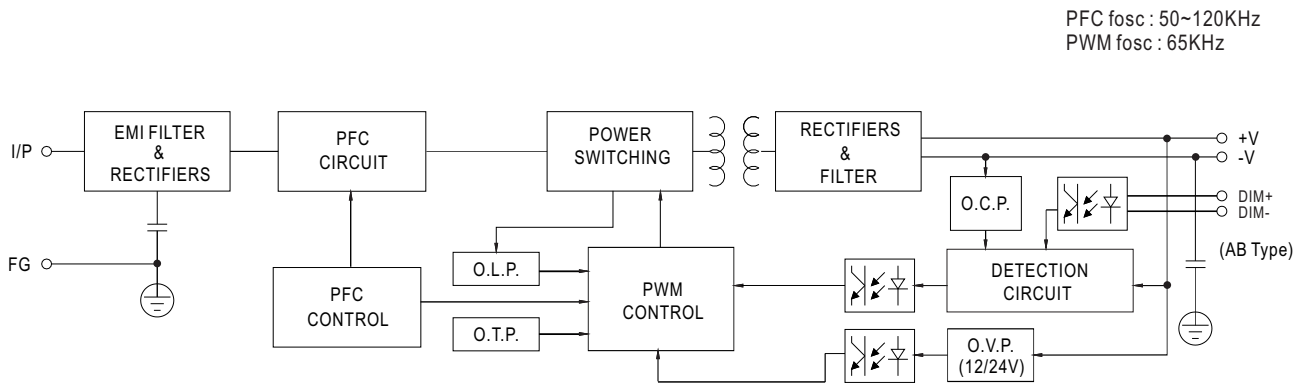
SPECIFICATION

| MODEL                          |  | XLG-75□-12-□   | XLG-75□-24-□                      |   |
|--------------------------------|--|--|-----------------------------------|---|
| OUTPUT                         | DC VOLTAGE   | 12V  | 24V                               |   |
|                                | CONSTANT CURRENT REGION <small>Note.2</small>  | 8.4~ 12V   | 16.8~ 24V                         |   |
|                                | RATED CURRENT (Default)  | 5A   | 3.1A                              |   |
|                                | RATED POWER  | 60W  | 74.4W                             |   |
|                                | RIPPLE & NOISE (max.) <small>Note.3</small>  | 150mVp-p   | 240mVp-p                          |   |
|                                | CURRENT ADJ RANGE  | 2.5A~5A  | 1.55A~3.1A                        |   |
|                                | VOLTAGE TOLERANCE <small>Note.4</small>  | ±3.0%  | ±2.0%                             |   |
|                                | LINE REGULATION  | ±0.5%  | ±0.5%                             |   |
|                                | LOAD REGULATION  | ±2%  | ±1%                               |   |
|                                | SETUP, RISE TIME <small>Note.6</small>   | 500ms, 100ms/230VAC, 1200ms, 100ms/115VAC  |                                   |   |
| HOLD UP TIME (Typ.)            | 10ms/ 230VAC 10ms/ 115VAC  |  |                                   |   |
| INPUT                          | VOLTAGE RANGE <small>Note.5</small>  | 100 ~ 305VAC 142 ~ 431VDC<br>(Please refer to "STATIC CHARACTERISTIC" section)   |                                   |   |
|                                | FREQUENCY RANGE  | 47 ~ 63Hz  |                                   |   |
|                                | POWER FACTOR   | PF ≥ 0.97/115VAC, PF ≥ 0.95/230VAC, PF ≥ 0.92/277VAC@full load   |                                   |   |
|                                | TOTAL HARMONIC DISTORTION  | THD < 10% (@load ≥ 50%/115VAC, 230VAC; @load ≥ 75%/277VAC)   |                                   |   |
|                                | EFFICIENCY (Typ.)  | 89%  | 90%                               |   |
|                                | AC CURRENT   | 1.0A / 115VAC 0.45A / 230VAC 0.38A/277VAC  |                                   |   |
|                                | INRUSH CURRENT(Typ.)   | COLD START 50A(width=300µs measured at 50% Ipeak) at 230VAC; Per NEMA 410  |                                   |   |
|                                | MAX. No. of PSUs on 16A CIRCUIT BREAKER  | 9 units (circuit breaker of type B) / 14 units (circuit breaker of type C) at 230VAC   |                                   |   |
|                                | LEAKAGE CURRENT  | <0.75mA / 277VAC   |                                   |   |
|                                | NO LOAD POWER CONSUMPTION  | No load power consumption <0.5W(for standard version)  |                                   |   |
| PROTECTION                     | OVER CURRENT   | 95 ~ 108%<br>Hiccup mode or Constant current limiting, recovers automatically after fault condition is removed   |                                   |   |
|                                | SHORT CIRCUIT  | Hiccup mode or Constant current limiting, recovers automatically after fault condition is removed  |                                   |   |
|                                | OVER VOLTAGE   | 13 ~ 19V   | 26 ~ 36V                          |   |
|                                | INPUT OVER VOLTAGE <small>Note.7</small>   | 320 ~ 370VAC (Shut down output voltage when the input voltage exceeds protection voltage, recovers automatically after fault condition is removed)<br>Can survive input voltage stress of 440Vac for 48 hours @ tc 75°C max  |                                   |   |
|                                | OVER TEMPERATURE   | Shut down output voltage, re-power on to recover   |                                   |   |
| ENVIRONMENT                    | WORKING TEMP.  | Tcase=-40 ~ +90°C (Please refer to " OUTPUT LOAD vs TEMPERATURE" section)  |                                   |   |
|                                | MAX. CASE TEMP.  | Tcase=+90°C  |                                   |   |
|                                | WORKING HUMIDITY   | 20 ~ 95% RH non-condensing   |                                   |   |
|                                | STORAGE TEMP., HUMIDITY  | -40 ~ +90°C, 10 ~ 95% RH   |                                   |   |
|                                | TEMP. COEFFICIENT  | ±0.03%/°C (0 ~ 60°C)   |                                   |   |
| VIBRATION                      | 10 ~ 500Hz, 5G 12min./1cycle, period for 72min. each along X, Y, Z axes  |  |                                   |   |
| EMC SAFETY &                   | SAFETY STANDARDS <small>Note.7</small>   | UL8750(type"HL"), UL879, CSA C22.2 No. 250.13-12;ENEC BS EN/EN61347-1, BS EN/EN61347-2-13 independent, BS EN/EN62384; GB19510.1, GB19510.14; EAC TP TC 004;J61347-1(H29), J61347-2-13(H29), KC61347-1, KC61347-2-13, IS15885(Part2/Sec13) (for XLG-75I type only); OM-058-SCFI-2017(except for Blank type);IP67 approved |                                   |   |
|                                | WITHSTAND VOLTAGE  | I/P-O/P:3.75KVAC I/P-FG:2KVAC O/P-FG:1.5KVAC   |                                   |   |
|                                | ISOLATION RESISTANCE   | I/P-O/P, I/P-FG, O/P-FG:100M Ohms / 500VDC / 25°C / 70% RH   |                                   |   |
|                                | EMC EMISSION   | Parameter  | Standard                          | Test Level/Note                         |
|                                |  | Conducted  | BS EN/EN55015(CISPR15) ,GB/T17743 | -----                                   |
|                                |  | Radiated   | BS EN/EN55015(CISPR15) ,GB/T17743 | -----                                   |
|                                |  | Harmonic Current   | BS EN/EN61000-3-2, GB/T17625.1    | Class C @load ≥ 50%                     |
|                                | EMC IMMUNITY   | Voltage Flicker  | BS EN/EN61000-3-3                 | -----                                   |
|                                |  | Parameter  | Standard                          | Test Level/Note                         |
|                                |  | ESD  | BS EN/EN61000-4-2                 | Level 3, 8KV air ; Level 2, 4KV contact |
| Radiated                       |  | BS EN/EN61000-4-3  | Level 3                           |   |
| EFT/Burst                      |  | BS EN/EN61000-4-4  | Level 3                           |   |
| Surge                          |  | BS EN/EN61000-4-5  | 4KV/Line-Line 6KV/Line-Earth      |   |
| Conducted                      |  | BS EN/EN61000-4-6  | Level 3                           |   |
| Magnetic Field                 |  | BS EN/EN61000-4-8  | Level 4                           |   |
| Voltage Dips and Interruptions | BS EN/EN61000-4-11   | >95% dip 0.5 periods, 30% dip 25 periods, >95% interruptions 250 periods   |                                   |   |
| OTHERS                         | MTBF   | 3404.7K hrs min. Telcordia SR-332 (Bellcore) ; 276.3Khrs min. MIL-HDBK-217F (25°C)   |                                   |   |
|                                | DIMENSION  | 140*63*32mm (L*W*H)  |                                   |   |
|                                | PACKING  | 0.58Kg;24pcs /15Kg /0.85CUFT   |                                   |   |
| NOTE                           | <p>1. All parameters NOT specially mentioned are measured at 230VAC input, rated current and 25°C of ambient temperature.</p> <p>2. Please refer to "DRIVING METHODS OF LED MODULE".</p> <p>3. Ripple &amp; noise are measured at 20MHz of bandwidth by using a 12" twisted pair-wire terminated with a 0.1µf &amp; 47µf parallel capacitor.</p> <p>4. Tolerance : includes set up tolerance, line regulation and load regulation.</p> <p>5. De-rating may be needed under low input voltages. Please refer to "STATIC CHARACTERISTIC" sections for details.</p> <p>6. Length of set up time is measured at first cold start. Turning ON/OFF the driver may lead to increase of the set up time.</p> <p>7. Input over voltage only for XLG-75 I series, and I series without UL/CSA certificate.</p> <p>8. The driver is considered as a component that will be operated in combination with final equipment. Since EMC performance will be affected by the complete installation, the final equipment manufacturers must re-quality EMC Directive on the complete installation again.</p> <p>9. This series meets the typical life expectancy of &gt;50,000 hours of operation when Tcase, particularly (Tc) point (or TMP, per DLC), is about 75°C or less.</p> <p>10. Please refer to the warranty statement on MEAN WELL's website at <a href="http://www.meanwell.com">http://www.meanwell.com</a></p> <p>11. The ambient temperature derating of 3.5°C/1000m with fanless models and of 5°C/1000m with fan models for operating altitude higher than 2000m(6500ft).</p> <p>12. Products sourced from the Americas regions may not have the PSE/CCC/BIS/KC logo. Please contact your MEAN WELL sales for more information.</p> <p>13. To fulfill requirements of the latest ErP regulation for lighting fixtures, this LED drivers can only be used behind a switch without permanently connected to the mains</p> <p>14. For any application note and IP water proof function installation caution, please refer our user manual before using. <a href="https://www.meanwell.com/Upload/PDF/LED_EN.pdf">https://www.meanwell.com/Upload/PDF/LED_EN.pdf</a></p> <p>15. If you need the NOM (Mexico) certificate, Please contact MEAN WELL sales representative for details.</p> <p>⊗ Product Liability Disclaimer : For detailed information, please refer to <a href="https://www.meanwell.com/serviceDisclaimer.aspx">https://www.meanwell.com/serviceDisclaimer.aspx</a></p> |  |                                   |   |

SPECIFICATION

| MODEL                          |  | XLG-75 □-L- □  | XLG-75 □-H- □                           |                   |
|--------------------------------|--|--|---|-------------------|
| OUTPUT                         | RATED CURRENT (Default)  | 700mA  | 1400mA                                  |                   |
|                                | RATED POWER  | 74.9W  | 75.6W                                   |                   |
|                                | CONSTANT CURRENT REGION  | 53 ~ 107V  | 27 ~ 56V                                |                   |
|                                | FULL POWER CURRENT RANGE   | 700~1050mA   | 1300~2100mA                             |                   |
|                                | OPEN CIRCUIT VOLTAGE (max.)  | 115V   | 60V                                     |                   |
|                                | CURRENT ADJ. RANGE   | 350~1050mA   | 650~2100mA                              |                   |
|                                | CURRENT RIPPLE   | 3.0%(@rated current)   |   |                   |
|                                | CURRENT TOLERANCE  | ±5%  |   |                   |
| SET UP TIME                    | 500ms/230VAC, 1200ms/115VAC  |  |   |                   |
| INPUT                          | VOLTAGE RANGE <span style="float:right">Note.5</span>  | 100 ~ 305VAC 142VDC ~ 431VDC<br>(Please refer to "STATIC CHARACTERISTIC" ang " DRIVING METHODS OF LED MODULE"section)  |   |                   |
|                                | FREQUENCY RANGE  | 47 ~ 63Hz  |   |                   |
|                                | POWER FACTOR (Typ.)  | PF ≥ 0.97 / 115VAC, PF ≥ 0.95 / 230VAC, PF ≥ 0.92 / 277VAC at full load<br>(Please refer to "Power Factor Characteristic" section)   |   |                   |
|                                | TOTAL HARMONIC DISTORTION  | THD < 10% (@ load ≥ 50% at 115VAC/230VAC , @load ≥ 75% at 277VAC)<br>Please refer to "TOTAL HARMONIC DISTORTION (THD)" section   |   |                   |
|                                | EFFICIENCY (Typ.)  | 91%  | 90%                                     |                   |
|                                | AC CURRENT (Typ.)  | 1A / 115VAC 0.45A / 230VAC 0.38A / 277VAC  |   |                   |
|                                | INRUSH CURRENT(Typ.)   | COLD START 50A(twidth=300µs measured at 50% Ipeak) at 230VAC; Per NEMA 410   |   |                   |
|                                | MAX. NO. of PSUs on 16A CIRCUIT BREAKER  | 9 unit(circuit breaker of type B) / 14 units(circuit breaker of type C) at 230VAC  |   |                   |
|                                | LEAKAGE CURRENT  | <0.75mA / 277VAC   |   |                   |
|                                | STANDBY POWER CONSUMPTION  | Standby power consumption <0.5W for AB-Type(Dimming OFF)(for standard version)   |   |                   |
| PROTECTION                     | OVER POWER   | 110 ~ 150%<br>Hiccup mode, recovers automatically after fault condition is removed   |   |                   |
|                                | SHORT CIRCUIT  | Hiccup mode or Constant current limiting, recovers automatically after fault condition is removed  |   |                   |
|                                | INPUT OVER VOLTAGE <span style="float:right">Note.7</span>   | 320 ~ 370VAC (Shut down output voltage when the input voltage exceeds protection voltage, recovers automatically after fault condition is removed)<br>Can survive input voltage stress of 440Vac for 48 hours @ tc 75°C max  |   |                   |
|                                | OVER TEMPERATURE   | Shut down output voltage, re-power on to recovery  |   |                   |
| ENVIRONMENT                    | WORKING TEMP.  | Tcase=-40 ~ +90°C(Please refer to "OUTPUT LOAD vs TEMPERATURE" section)  |   |                   |
|                                | MAX. CASE TEMP.  | Tcase=+90°C  |   |                   |
|                                | WORKING HUMIDITY   | 20 ~ 95% RH non-condensing   |   |                   |
|                                | STORAGE TEMP., HUMIDITY  | -40 ~ +80°C, 10 ~ 95% RH non-condensing  |   |                   |
|                                | TEMP. COEFFICIENT  | ±0.03%/°C (0 ~ 60°C)   |   |                   |
| VIBRATION                      | 10 ~ 500Hz, 5G 12min./1cycle, period for 72min. each along X, Y, Z axes  |  |   |                   |
| SAFETY & EMC                   | SAFETY STANDARDS <span style="float:right">Note.7</span>   | UL8750(type"HL"), CSA C22.2 No. 250.13-12; ENEC BS EN/EN61347-1, BS EN/EN61347-2-13 independent, BS EN/EN62384; GB19510.1, GB19510.14; EAC TP TC 004;J61347-1(H29), J61347-2-13(H29),KC61347-1,KC61347-2-13,IS15885(Part2/Sec13) (for XLG-75I type only); NOM-058-SCFI-2017(except for Blank type);IP67 approved |   |                   |
|                                | WITHSTAND VOLTAGE  | I/P-O/P:3.75KVAC I/P-FG:2KVAC O/P-FG:1.5KVAC   |   |                   |
|                                | ISOLATION RESISTANCE   | I/P-O/P, I/P-FG, O/P-FG:100M Ohms / 500VDC / 25°C / 70% RH   |   |                   |
|                                | EMC EMISSION   | Parameter  | Standard                                | Test Level/Note   |
|                                |  | Conducted  | BS EN/EN55015(CISPR15) ,GB/T17743       | -----             |
|                                |  | Radiated   | BS EN/EN55015(CISPR15) ,GB/T17743       | -----             |
|                                |  | Harmonic Current   | BS EN/EN61000-3-2 ,GB/T17625.1          | Class C @load≥50% |
|                                |  | Voltage Flicker  | BS EN/EN61000-3-3                       | -----             |
|                                | EMC IMMUNITY   | BS EN/EN61547  |   |                   |
|                                |  | Parameter  | Standard                                | Test Level/Note   |
| ESD                            |  | BS EN/EN61000-4-2  | Level 3, 8KV air ; Level 2, 4KV contact |                   |
| Radiated                       |  | BS EN/EN61000-4-3  | Level 3                                 |                   |
| EFT/Burst                      |  | BS EN/EN61000-4-4  | Level 3                                 |                   |
| Surge                          |  | BS EN/EN61000-4-5  | 4KV/Line-Line 6KV/Line-Earth            |                   |
| Conducted                      |  | BS EN/EN61000-4-6  | Level 3                                 |                   |
| Magnetic Field                 |  | BS EN/EN61000-4-8  | Level 4                                 |                   |
| Voltage Dips and Interruptions | BS EN/EN61000-4-11   | >95% dip 0.5 periods, 30% dip 25 periods, >95% interruptions 250 periods   |   |                   |
| OTHERS                         | MTBF   | 3404.7K hrs min. Telcordia SR-332 (Bellcore) ; 276.3Khrs min. MIL-HDBK-217F (25°C)   |   |                   |
|                                | DIMENSION  | 140*63*32mm (L*W*H)  |   |                   |
|                                | PACKING  | 0.58Kg;24pcs /15Kg /0.85CUFT   |   |                   |
| NOTE                           | <ol style="list-style-type: none"> <li>All parameters NOT specially mentioned are measured at 230VAC input, rated current and 25°C of ambient temperature.</li> <li>Please refer to "DRIVING METHODS OF LED MODULE".</li> <li>Ripple &amp; noise are measured at 20MHz of bandwidth by using a 12" twisted pair-wire terminated with a 0.1µf &amp; 47µf parallel capacitor.</li> <li>Tolerance : includes set up tolerance, line regulation and load regulation.</li> <li>De-rating may be needed under low input voltages. Please refer to "STATIC CHARACTERISTIC" sections for details.</li> <li>Length of set up time is measured at first cold start. Turning ON/OFF the driver may lead to increase of the set up time.</li> <li>Input over voltage only for XLG-75 I series, and I series without UL/CSA certificate.</li> <li>The driver is considered as a component that will be operated in combination with final equipment. Since EMC performance will be affected by the complete installation, the final equipment manufacturers must re-qualify EMC Directive on the complete installation again.</li> <li>This series meets the typical life expectancy of &gt;50,000 hours of operation when Tcase, particularly Ⓢpoint (or TMP, per DLC), is about 75°C or less.</li> <li>Please refer to the warranty statement on MEAN WELL's website at <a href="http://www.meanwell.com">http://www.meanwell.com</a></li> <li>The ambient temperature derating of 3.5°C/1000m with fanless models and of 5°C/1000m with fan models for operating altitude higher than 2000m(6500ft).</li> <li>Products sourced from the Americas region may not have the PSE/CCC/BIS/KC logo. Please contact your MEAN WELL sales for more information.</li> <li>To fulfill requirements of the latest ErP regulation for lighting fixtures, this LED drivers can only be used behind a switch without permanently connected to the mains</li> <li>For any application note and IP water proof function installation caution, please refer our user manual before using. <a href="https://www.meanwell.com/Upload/PDF/LED_EN.pdf">https://www.meanwell.com/Upload/PDF/LED_EN.pdf</a></li> <li>If you need the NOM (Mexico) certificate, Please contact MEAN WELL sales representative for details.</li> </ol> <p>⊗ Product Liability Disclaimer : For detailed information, please refer to <a href="https://www.meanwell.com/serviceDisclaimer.aspx">https://www.meanwell.com/serviceDisclaimer.aspx</a> File Name:XLG-75-SPEC_2022-08-08</p> |  |   |                   |

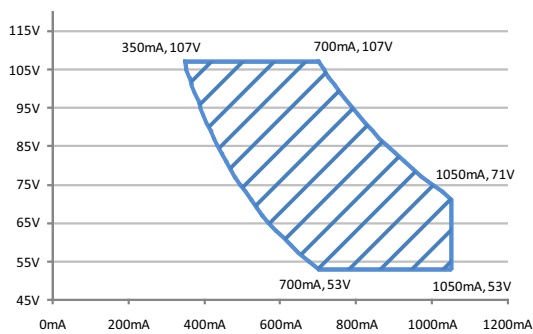
**BLOCK DIAGRAM**



**DRIVING METHODS OF LED MODULE**

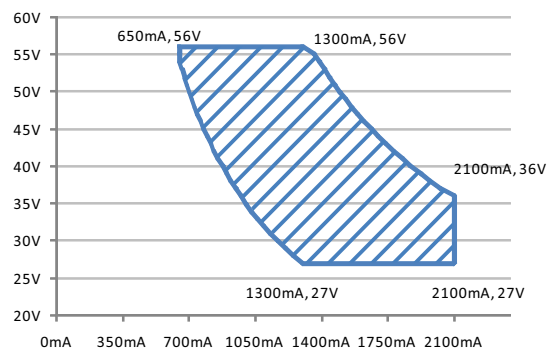
※ I-V Operating Area

◎ XLG-75-L



Recommend Performance Region

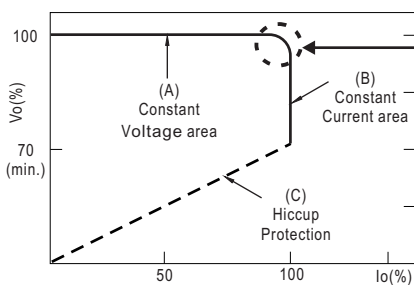
◎ XLG-75-H



Recommend Performance Region

◎ XLG-75-12,24

※ This series is able to work in either Constant Current mode (a direct drive way) or Constant Voltage mode (usually through additional DC/DC driver) to drive the LEDs.

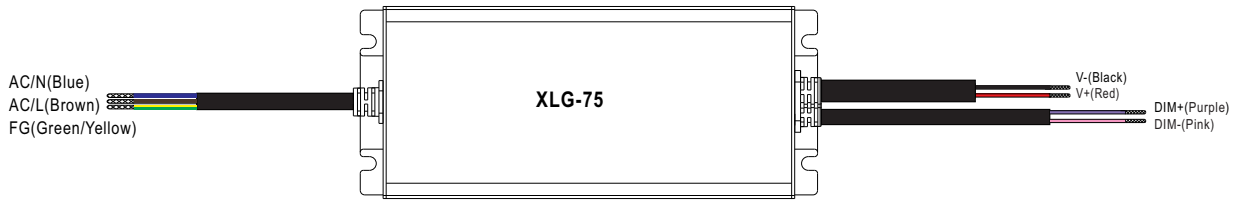


In the constant current region, the highest voltage at the output of the driver depends on the configuration of the end systems.

Should there be any compatibility issues, please contact MEAN WELL.

Typical output current normalized by rated current (%)

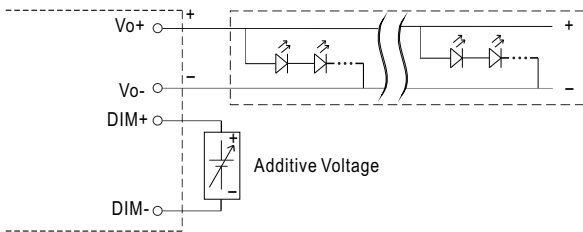
**■ DIMMING OPERATION**



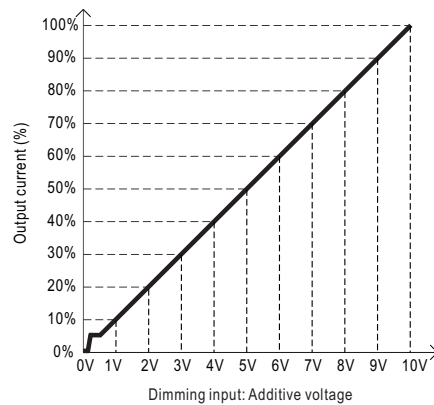
※ 3 in 1 dimming function (for AB-Type)

- Output constant current level can be adjusted by applying one of the three methodologies between DIM+ and DIM-: 0 ~ 10VDC, or 10V PWM signal or resistance.
- Direct connecting to LEDs is suggested. It is not suitable to be used with additional drivers.
- Dimming source current from power supply: 100  $\mu$ A (typ.)

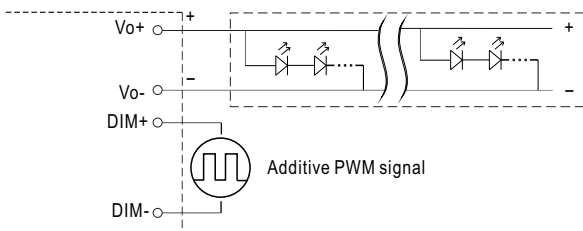
◎ Applying additive 0 ~ 10VDC



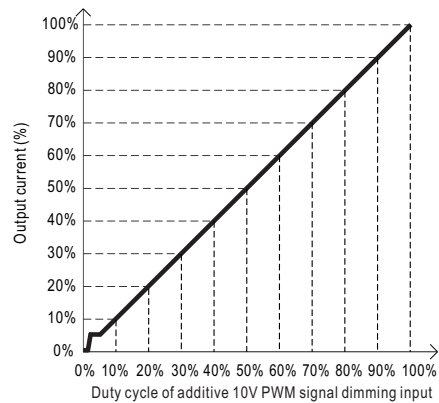
"DO NOT connect "DIM- to Vo-"



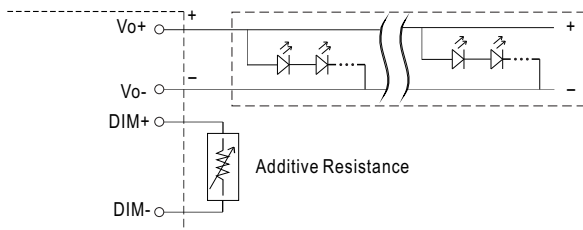
◎ Applying additive 10V PWM signal (frequency range 100Hz ~ 3KHz):



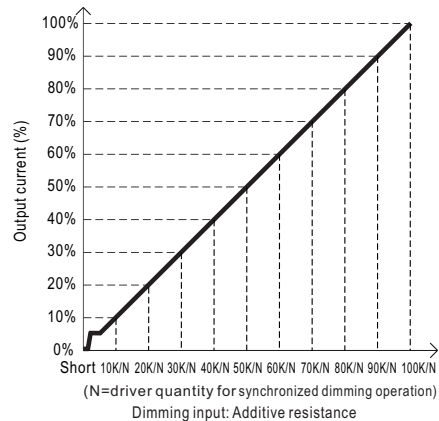
"DO NOT connect "DIM- to Vo-"



◎ Applying additive resistance:

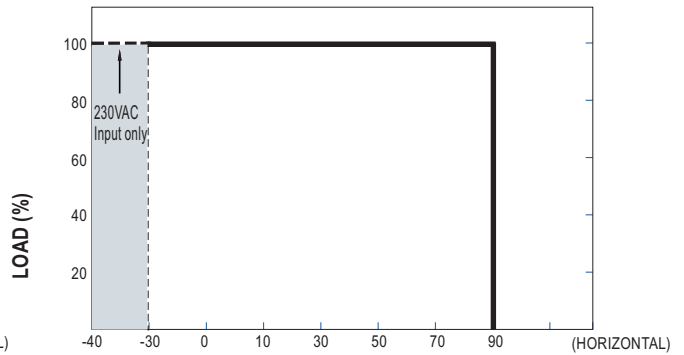
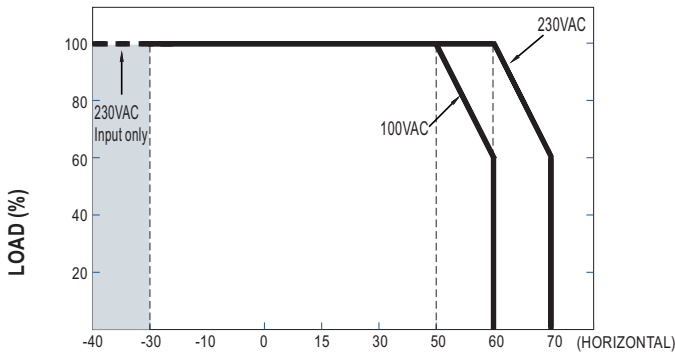


"DO NOT connect "DIM- to Vo-"



Note : 1. Min. dimming level is about 8% and the output current is not defined when 0% < Iout < 8%.  
2. The output current could drop down to 0% when dimming input is about 0 $\Omega$  or 0Vdc, or 10V PWM signal with 0% duty cycle.

**OUTPUT LOAD vs TEMPERATURE**

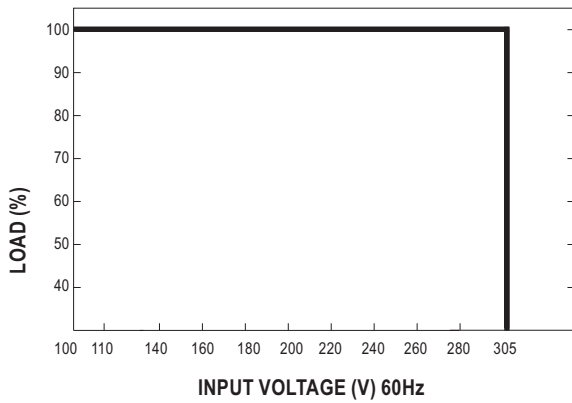


AMBIENT TEMPERATURE, Ta (°C)

If XLG-75 operates in Constant Current mode with the rated current the maximum workable Ta is 60°C (Typ. 230VAC) or 50°C (Typ. 100VAC)  
Below 110VAC@ -30°C may retry to 2nd setup

Tcase (°C)

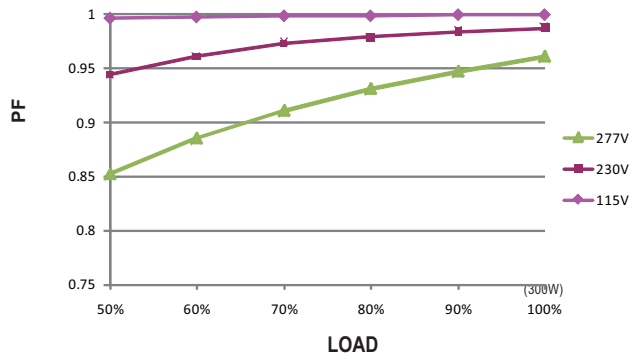
**STATIC CHARACTERISTIC**



**POWER FACTOR (PF) CHARACTERISTIC**

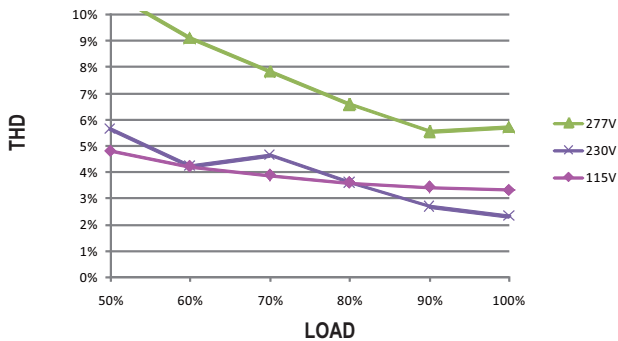
※ Tcase at 75°C

Constant Current Mode



**TOTAL HARMONIC DISTORTION (THD)**

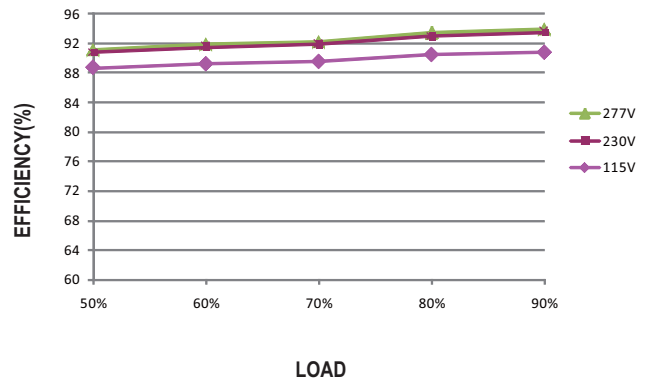
※ XLG-75-L Model, Tcase at 75°C



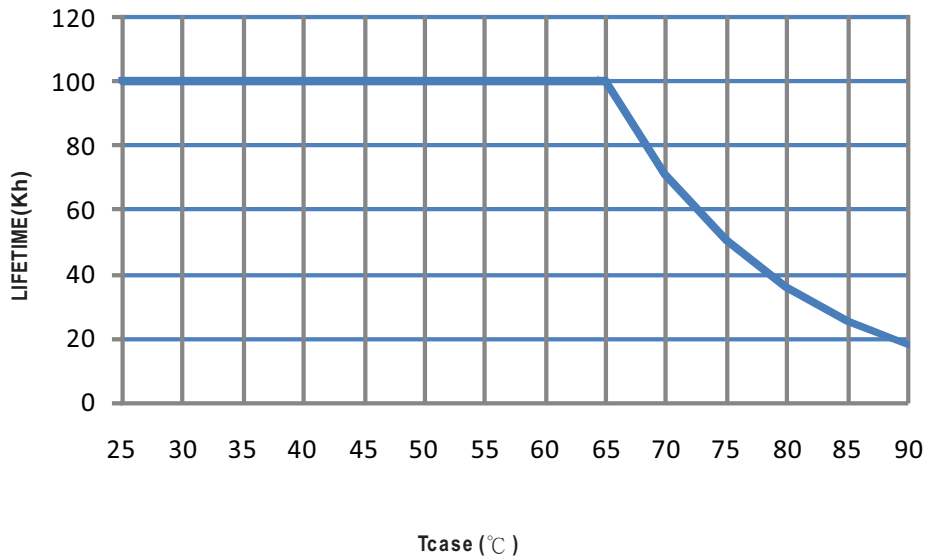
**EFFICIENCY vs LOAD**

XLG-75 series possess superior working efficiency that up to 92% can be reached in field applications.

※ XLG-75-L Model, Tcase at 75°C



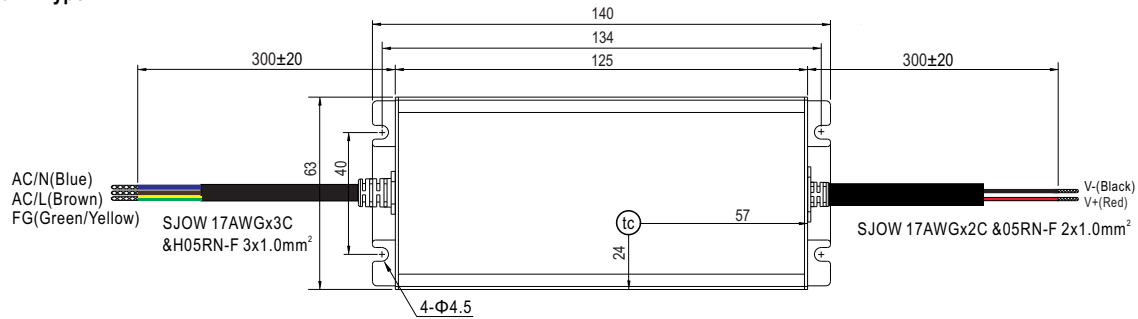
■ LIFE TIME



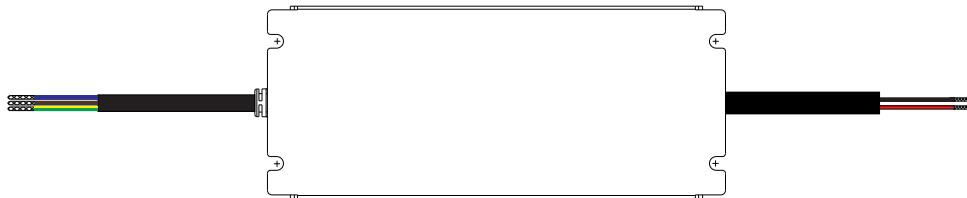
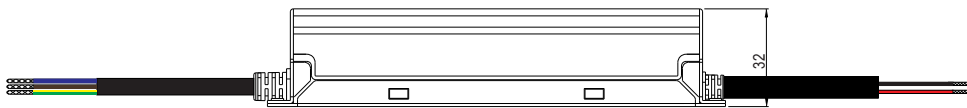
MECHANICAL SPECIFICATION

Case No.: 275A Unit:mm

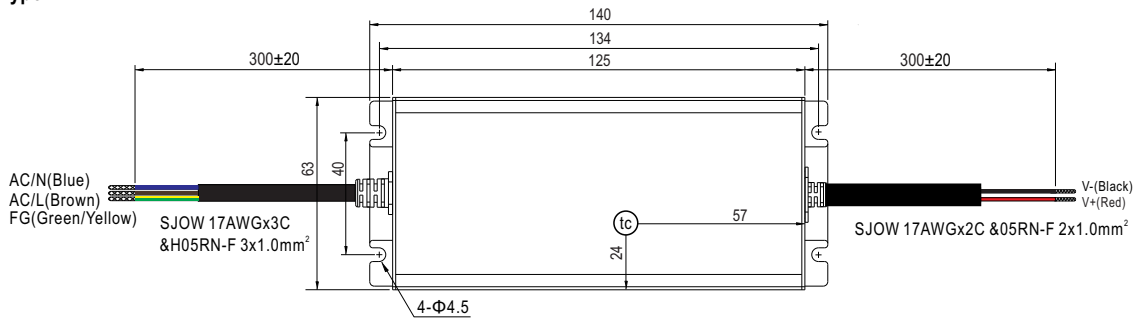
※ Blank-Type



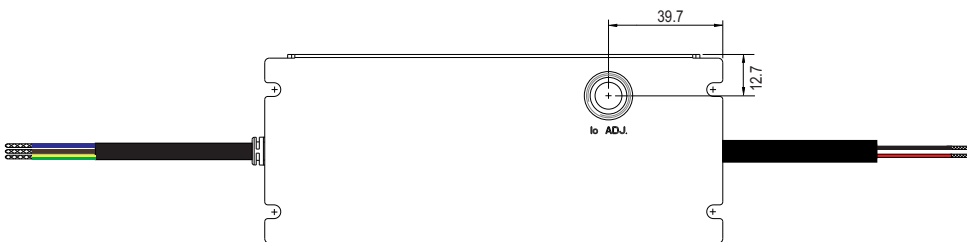
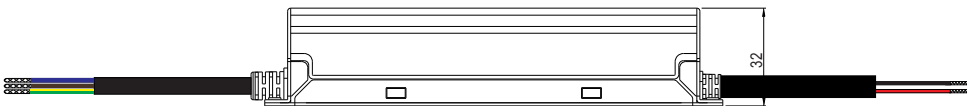
• (tc) : Max. Case Temperature



※ A-Type



• (tc) : Max. Case Temperature

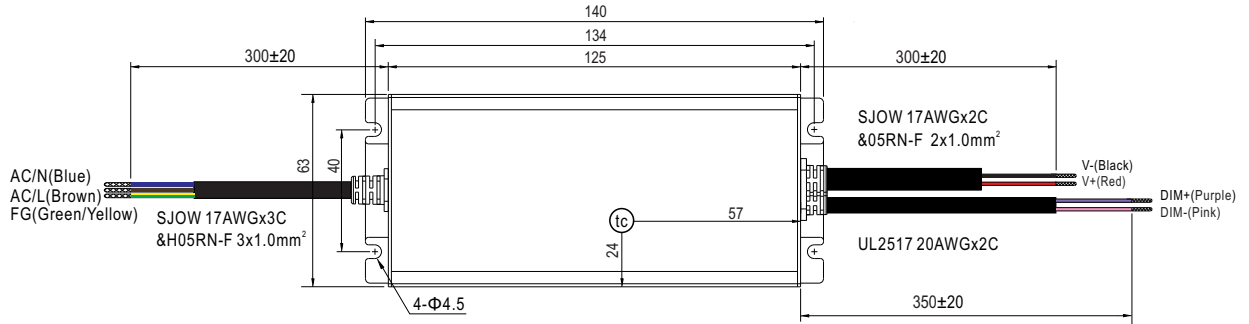




MECHANICAL SPECIFICATION

Case No.: 275A Unit:mm

※ AB-Type



• (tc) : Max. Case Temperature

