

- Compact PCB power module in 1.46" x 1.08" package
- Wide input voltage range 90-305 VAC
- Certified according to EN 60335-1 and IEC/EN/UL 62368-1
- I/O-Isolation 4'000 VAC
- Operating temperature range -40°C to +70°C
- No load input power <0.1W (acc. ErP directive)
- High efficiency up to 83%
- Internal EN 55032 class B filter
- Protection class II prepared
- 3 year product warranty



UL 62368-1 IEC 62368-1

The TMPW 5 is a 5 Watt AC/DC series with an extended input range of 90-305 VAC and is suitable for industrial and household/building technology applications and comes in a compact encapsulated plastic case. The 305 VAC (277 VAC \pm 10%) threshold is derived from a 480 VAC three-phase supply voltage often used in heavy industrial applications. Through the increased voltage level, the drawn current from the load is effectively reduced, which allows for an overall more compact and lightweight design approach. They offer an I/O-isolation voltage of 4000 VAC, a high temperature range of -40 to +70°C and are prepared for protection class II applications. Additionally, an internal EN 55032 class B filter saves valuable board space for an otherwise often mandatory external filter setup. An energy efficient design (<0.1 Watt standby power consumption) and safety approvals according to IEC/EN/UL 62368-1 and EN 60335-1 make this series suitable for a wide range of industrial and household/building technology applications.

Models

Order Code	Output Power max.	Output Voltage nom.	Output Current max.	Efficiency typ.
TMPW 5-103	5 W	3.3 VDC	1'515 mA	73 %
TMPW 5-105		5 VDC	1'000 mA	77 %
TMPW 5-112		12 VDC	420 mA	81 %
TMPW 5-124		24 VDC	210 mA	83 %

Input Specifications

Input Voltage	- AC Range	90 - 305 VAC (Full Range)
	- DC Range	100 - 250 VDC (264 VAC max. for Household Certification)
Input Frequency		47 - 63 Hz (designed to meet: 47 - 440 Hz)
Input Current	- Full Load & Vin = 230 VAC	90 mA max.
	- Full Load & Vin = 115 VAC	150 mA max.
Power Consumption	- At no load	100 mW max.
Input Inrush Current	- At 230 VAC	60 A max.
	- At 115 VAC	30 A max.
Recommended Input Fuse		1600 mA (slow blow) (The need of an external fuse has to be assessed in the final application.)

Output Specifications

Voltage Set Accuracy		±2% max.
Regulation	- Input Variation (Vmin - Vmax)	0.2% max. (3.3 & 5 Vout models)
		0.1 % max. (other models)
	- Load Variation (0 - 100%)	1% max. (3.3 Vout model) 0.5 % max. (other models)
Ripple and Noise (20 MHz Bandwidth)	3.3 VDC model:	60 mVp-p max. (w/ 0.1 µF // 47 µF)
	5 VDC model:	60 mVp-p max. (w/ 0.1 µF // 47 µF)
	12 VDC model:	120 mVp-p max. (w/ 0.1 µF // 47 µF)
	24 VDC model:	200 mVp-p max. (w/ 0.1 µF // 47 µF)
Capacitive Load	3.3 VDC model:	3'500 µF max.
	5 VDC model:	2'500 µF max.
	12 VDC model:	470 µF max.
	24 VDC model:	150 µF max.
Minimum Load		Not required
Temperature Coefficient		±0.02 %/K max.
Hold-up Time	- At 230 VAC	15 ms min.
Short Circuit Protection		Continuous, Automatic recovery
Output Current Limitation		115% min. of Iout max.
Overvoltage Protection		105 - 145% of Vout nom. (By zener diode)

Safety Specifications

Safety Standards	- IT / Multimedia Equipment	EN 62368-1 IEC 62368-1 UL 62368-1
	- Household	EN 60335-1 IEC 60335-1
	- Certification Documents	
Protection Class		Class II (Prepared): Reinforced Insulation
Pollution Degree		PD 2
Over Voltage Category		OVC II

EMC Specifications

EMI Emissions	- Conducted Emissions	EN 55032 class B (internal filter)
	- Radiated Emissions	EN 55032 class B (internal filter)
	- Voltage Fluctuations & Flicker	EN 61000-3-3

All specifications valid at nominal voltage, full load and +25°C after warm-up time unless otherwise stated.

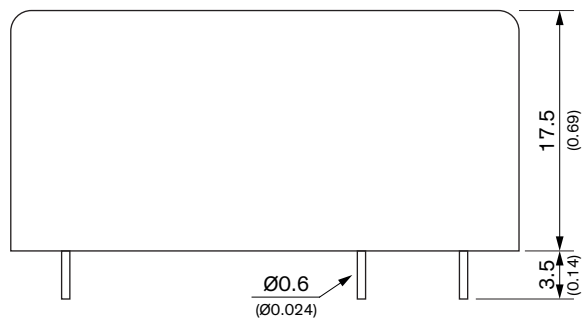
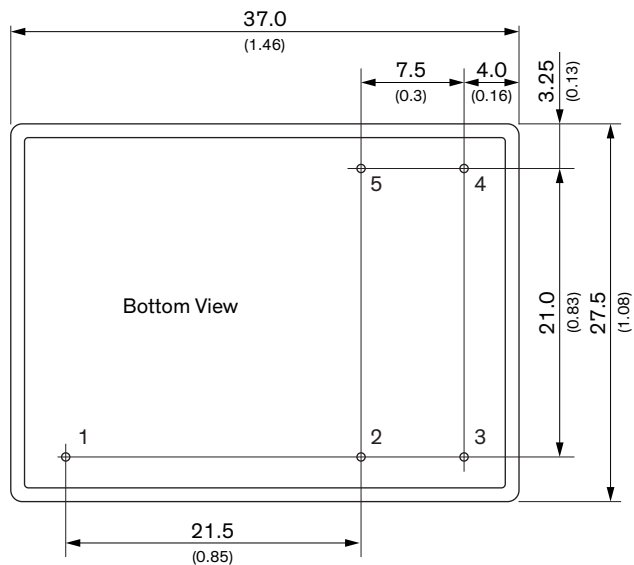
EMS Immunity	EN 55024 (IT Equipment) EN 55035 (Multimedia)
- Electrostatic Discharge	Air: EN 61000-4-2, ± 8 kV, perf. criteria A Contact: EN 61000-4-2, ± 4 kV, perf. criteria A
- RF Electromagnetic Field	EN 61000-4-3, 3 V/m, perf. criteria A
- EFT (Burst) / Surge	EN 61000-4-4, ± 1 kV, perf. criteria A
- Conducted RF Disturbances	L to L: EN 61000-4-5, ± 1 kV, perf. criteria A EN 61000-4-6, 3 Vrms, perf. criteria A
- PF Magnetic Field	Continuous: EN 61000-4-8, 1 A/m, perf. criteria A
- Voltage Dips & Interruptions	230 VAC / 50 Hz: EN 61000-4-11 30%, 25 periods, perf. criteria A >95%, 250 periods, perf. criteria B
	115 VAC / 60 Hz: EN 61000-4-11 30%, 25 periods, perf. criteria A >95%, 250 periods, perf. criteria B

General Specifications

Relative Humidity	95% max. (non condensing)
Temperature Ranges	- Operating Temperature: -40°C to $+70^{\circ}\text{C}$ - Storage Temperature: -40°C to $+85^{\circ}\text{C}$
Power Derating	- High Temperature: 2.5 %/K above 50°C (High Temperature) 2.0 %/K below -30°C (Low Temperature)
Cooling System	Natural convection (20 LFM)
Altitude During Operation	5'000 m max.
Insulation System	Reinforced Insulation
Working Voltage (rated)	314 VAC
Isolation Test Voltage	- Input to Output, 60 s: 4'000 VAC
Leakage Current	- Touch Current: 250 μA max.
Reliability	- Calculated MTBF: 450'000 h (MIL-HDBK-217F, ground benign)
Environment	- Vibration: IEC 60068-2-6 2 g, 3 axis, 60 min, 10-500 Hz, 10 min/cycle - Mechanical Shock: IEC 60068-2-27
Housing Material	Plastic resin (UL 94 V-0 rated)
Connection Type	THD (Through-Hole Device)
Weight	24 g
Environmental Compliance	- Reach - RoHS

All specifications valid at nominal voltage, full load and $+25^{\circ}\text{C}$ after warm-up time unless otherwise stated.

Outline Dimensions



Dimensions in mm (inch)
Tolerances: x.x ± 0.5 (± 0.02)

Pinout	
Pin	Single
1	NC
2	+Vout
3	-Vout
4	AC IN (L)
5	AC IN (N)

NC: Not connected