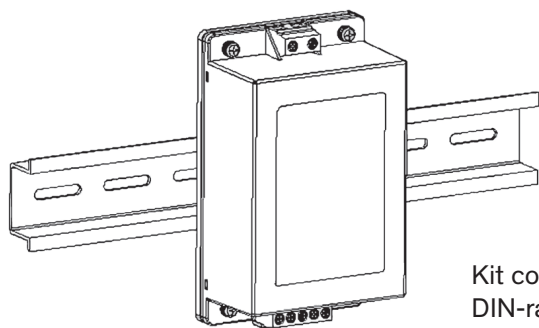
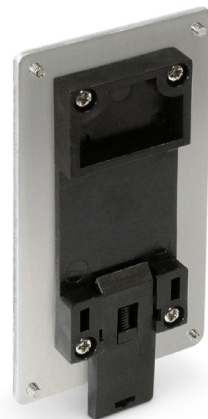


## Optional DIN-Rail mounting kit

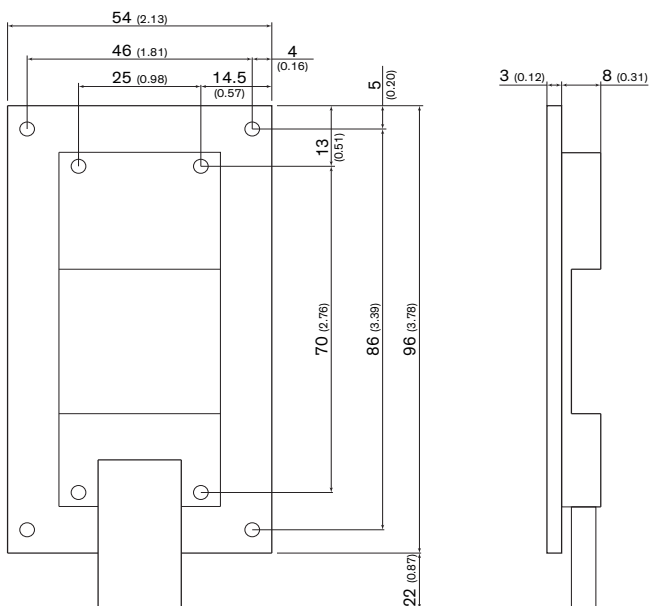
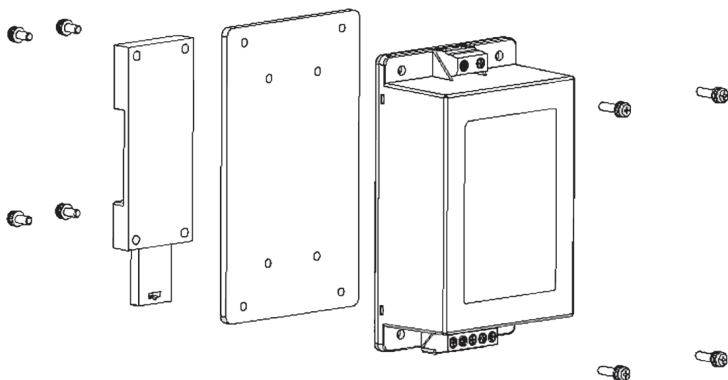
Order code

TMP-MK1

Weight: 59 g (without converter)



Kit contains interface plate,  
DIN-rail clip and screws



Specifications can be changed without notice!

Rev. June 19, 2019

Page 1 of 1