



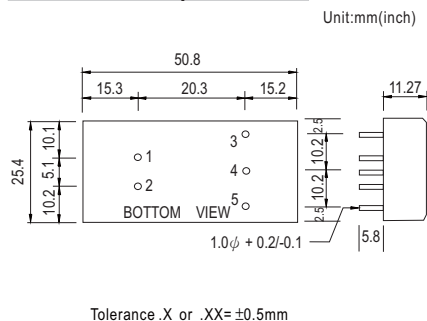
- Features :
 - 2:1 wide input range
 - 4:1 wide input range(option)
 - 1000VDC I/O isolation
 - 3000VDC I/O isolation(option)
 - Built-in EMI filter
 - Protections: Short circuit / Overload
 - Cooling by free air convection
 - Six-sided shield metal case
 - 100% burn-in test
 - Low cost / High reliability
 - Approvals: FCC / CE
 - 2 years warranty



SPECIFICATION

ORDER NO.	SKA15A-033	SKA15B-033	SKA15C-033	SKA15A-05	SKA15B-05	SKA15C-05	SKA15A-12	SKA15B-12	SKA15C-12	SKA15A-15	SKA15B-15	SKA15C-15			
OUTPUT	DC VOLTAGE			5V			12V			15V					
	CURRENT RANGE			300 ~ 3000mA			125 ~ 1250mA			100 ~ 1000mA					
	RATED POWER			9.9W			15W								
	RIPPLE & NOISE (max.) Note.2			50mVp-p			50mVp-p			60mVp-p					
	LINE REGULATION Note.3			±0.2%											
	LOAD REGULATION Note.4			±0.5%											
	VOLTAGE ACCURACY			±2.0%											
	SWITCHING FREQUENCY			150KHz min.											
INPUT	EXTERNAL CAPACITANCE LOAD (max.)			2700uF	2700uF	1000uF	2700uF	2700uF	1000uF	1800uF	1800uF	680uF	1500uF	1500uF	560uF
	VOLTAGE RANGE			A: 9 ~ 18VDC B: 18 ~ 36VDC C: 36 ~ 72VDC											
	EFFICIENCY (Typ.)			76%	76%	76%	78%	78%	80%	82%	80%	82%	82%	80%	82%
	DC CURRENT			Full load A: 1700mA B: 800mA C: 400mA											
	No load			A: 20mA B: 30mA C: 15mA											
PROTECTION (Note. 5)	OVER CURRENT			110% ~ 250% rated output power											
	SHORT CIRCUIT			All output equipped with short circuit											
	Protection type			: Hiccup mode, recovers automatically after fault condition is removed											
ENVIRONMENT	WORKING TEMP.			-40 ~ +71°C (Refer to "Derating Curve")											
	WORKING HUMIDITY			20% ~ 90% RH non-condensing											
	STORAGE TEMP., HUMIDITY			-40 ~ +105°C, 10 ~ 95% RH											
	TEMP. COEFFICIENT			±0.03% / °C (0 ~ 50°C)											
	VIBRATION			10 ~ 500Hz, 2G 10min./1cycle, period for 60min. each along X, Y, Z axes											
SAFETY & EMC	SAFETY STANDARDS			EAC TP TC 004 approved											
	WITHSTAND VOLTAGE			I/P-O/P: 1KVDC											
	ISOLATION RESISTANCE			I/P-O/P: 100M Ohms / 500VDC / 25°C / 70% RH											
	EMC EMISSION			Compliance to EN55032 Class A, FCC part 15 Class A, EAC TP TC 020											
OTHERS	MTBF			300Khrs min. MIL-HDBK-217F(25°C)											
	DIMENSION			50.8*25.4*11.27 mm or 2**1**0.44" inch (L*W*H)											
WEIGHT			32g												

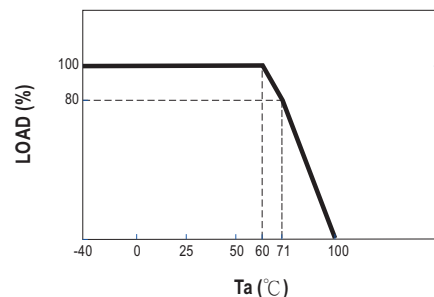
■ Mechanical Specification



■ Pin Configuration

Pin No.	Output
1	+Vin
2	-Vin
3	+Vout
4	No Pin
5	-Vout

■ Derating Curve



NOTE

- 1.All parameters are specified at normal input, rated load, 25°C 70% RH ambient.
- 2.Ripple & noise are measured at 20MHz by using a 12" twisted pair terminated with a 0.1uF & 47uF capacitor.
- 3.Line regulation is measured from low line to high line at rated load.
- 4.Load regulation is measured from 10% to 100% rated load.
- 5.Please prevent the converter from operating in overload or short circuit condition for more than 30 seconds.