

## 2.75W Compact Fixed Blade Charger with DC Cord



### Features

- North America Fixed Blade AC Input
- CC & CV control
- Level VI Efficiency
- Class 2 Output per UL1310
- Limited Power Source
- Class B EMI
- No Y Caps
- Standard Barrel Connector or Micro-B

### Applications

- MPEG Players
- PDAs
- Medical Test Device Charging
- Personal Electronics
- Digital Cameras
- Cordless Tools

### Safety Approvals

- cUL/UL

### Mechanical Characteristics

- Length: 39.4mm (1.65in)
- Width: 43mm (1.65in)
- Height: 21.0mm (0.87in)
- Weight: 45g (1.59oz)

### Output Specifications

Model	DC Output Voltage	Load		Ripple <sup>1</sup> P-P (max)	Regulation	
		Min.	Max.		Line	Load
PSM03A-050-R	5V	0A	0.55A	100mV	±5%	
PSM03A-050(M)-R <sup>2</sup>	5V	0A	0.55A	100mV	±5%	
PSM03A-075-R	7.5V	0A	0.366A	150mV	±5%	
PSM03A-090-R	9V	0A	0.305A	120mV	±5%	
PSM03A-120-R	12V	0A	0.229A	200mV	±5%	

Notes:

(1) Measured with by-pass capacitors 10uF electrolytic // 0.1uF ceramic capacitors across connector terminal with oscilloscope set at 20 MHz bandwidth

(2) This unit is terminated with Micro-B connector in place of standard DC cable.

Phihong is not responsible for any error, and reserves the right to make changes without notice. Please visit our website at [www.phihong.com](http://www.phihong.com) for the most up-to-date specifications and contact information.

Revised 12/10/2018

## PSM03A Characteristics

### INPUT:

**AC Input Voltage Rating**  
100 to 240VAC

**AC Input Voltage Range**  
90 to 264VAC

**AC Input Current**  
100mA (RMS) max.

**Leakage Current**  
0.25mA maximum

**No-Load Power Saving**  
0.01W maximum at 115VAC

### OUTPUT:

**Power**  
2.75W Maximum

**Efficiency**  
DOE Level VI

### ENVIRONMENTAL:

**Temperature**  
Operation 0 to +40°C  
Non-operation -25 to +75°C  
Humidity 10 to 90%

### Immunity

ESD: EN61000-4-2. Level 4  
Surge: EN61000-4-5. Level 4  
Harmonic: EN61000-3-2  
Flicker: EN61000-3-3

### EMI

Complies with FCC Class B  
Complies with EN55032 Class B

**Dielectric Withstand (Hi-pot) Test**  
Primary to Secondary: 3000VAC, 10mA for 60s

**Insulation Resistance**  
Primary to Secondary: DC500V >7MΩ

### FEATURES

**Over-voltage Protection**  
10V max. Auto restart

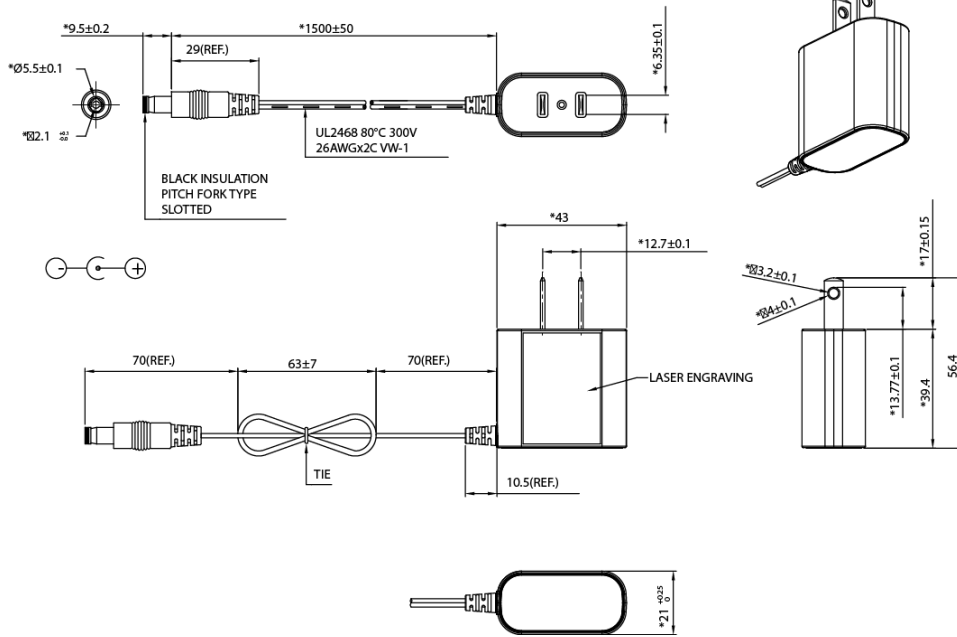
**Short-circuit Protection**  
The output can be shorted without damage.

**DC Cord**  
1500mm

**DC Output Connector**  
5.5mm x 2.1mm x 9.5 center positive barrel  
(M) Model - Micro USB  
Pin1: +5V  
Pin2: Short  
Pin3: Short  
Pin4: N/C  
Pin5: GND

**PSM03A-XXX-R**

**Dimension Diagram Unit: mm (inch)**



**PSM03A 050(M)-R**

**Dimension Diagram Unit: mm (inch)**

