

# 10W USB Interchangeable Plug Adapter



## Features

- USB Socket
- Field Changeable AC Plugs – sold separately
- US DoE Level VI Efficiency Compliance
- Ecodesign/ErP Lot 7 (EU) 2019/1782 Compliance
- EU COC V5 Tier 2 Compliance
- AS/NZS 4665.1-2005+A1:2009, AS/NZS 4665.2-2005+A1:2009 Compliance
- Voltage Drop Compensation

## Applications

- Personal Electronics
- Portable Equipment
- Peripherals
- Networking

**PSM10A Characteristics<sup>1</sup>****Input:****AC Input Voltage Rating**

100 to 240V AC

**AC Input Voltage Range**

90 to 264V AC

**AC Input Frequency**

47 to 63Hz

**Input Current**

0.5A (RMS) maximum at 115VAC/60Hz

0.25A (RMS) maximum at 230VAC/50Hz

**Leakage Current**

0.25mA @264VAC/50Hz

**Inrush Current**

30A for 120V AC at maximum load

60A for 230V AC at maximum load

(Cold start at ambient 25°C)

**Output:****Efficiency<sup>2</sup>**

CoC V5 Tier 2

US DOE Level VI

**Environmental:****Temperature**

Operation 0 to +40°C

Non-operation -40 to +85°C

Humidity 10 to 90%

**Emissions**

Complies with FCC Class B

Complies with EN55032 Class B

**Immunity**

EN 61000-4-2 Level 3

EN 61000-4-3 Level 2

EN 61000-4-4 Level 2

EN 61000-4-5 Level 2

EN 61000-4-6 Level 3

EN 61000-4-11

EN 61000-4-12

EN61000-3-2 Class A

EN61000-3-3

**Hold-up Time**

10mS minimum at 115VAC/60Hz and maximum load

**Over-Voltage Protection**

10VDC Max at Max load

**Over-Current Protection**

Output equipped with short circuit protection – auto-restart

**Short-Circuit Protection**

Output can be shorted without damage

**Dielectric Withstand (Hi-pot) Test**

Primary to Secondary: 3000V AC for 1 min., 10mA

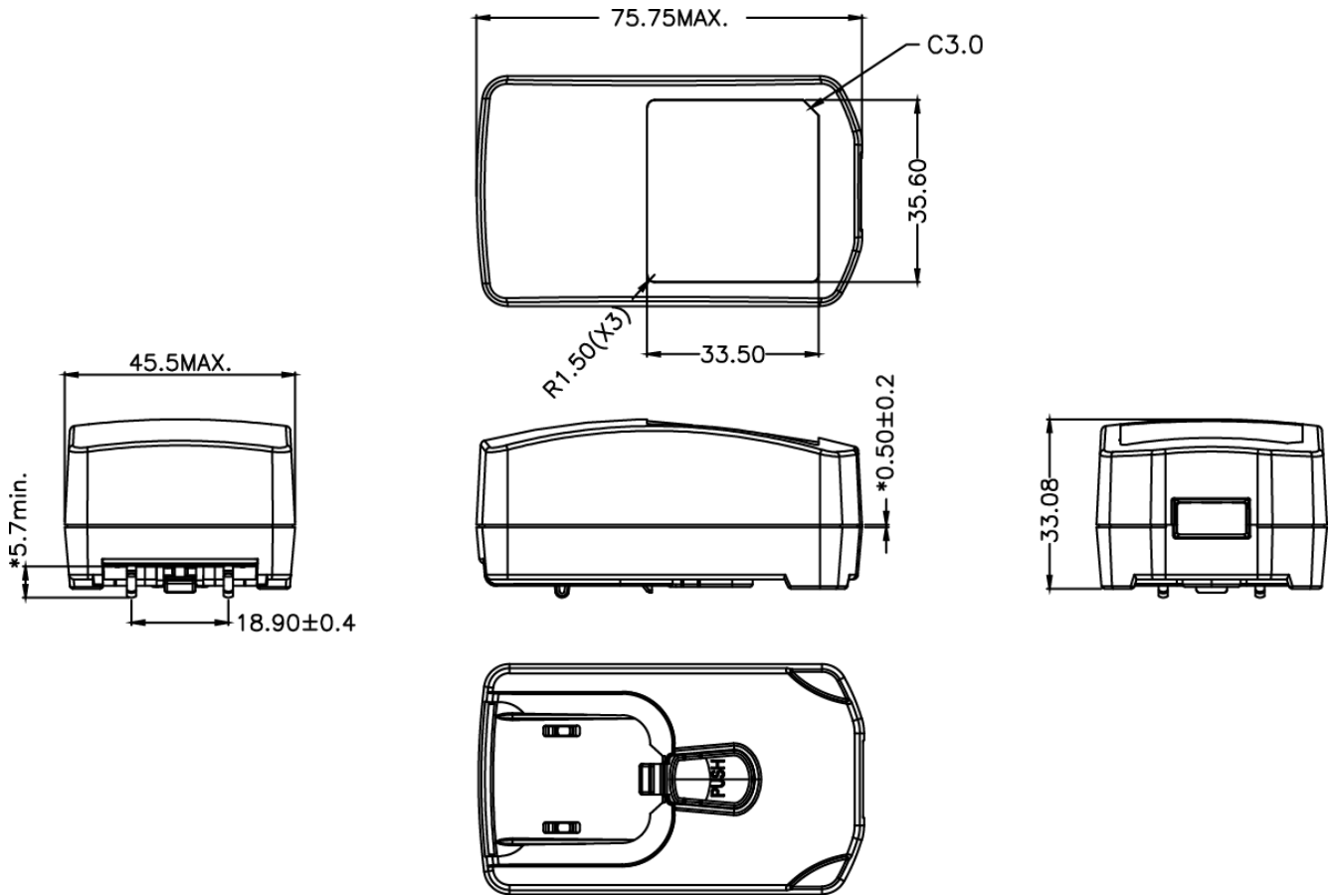
**DC Output Connector**

2.1 x 5.5mm Center Positive Barrel


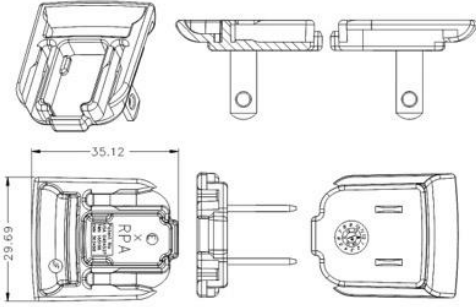

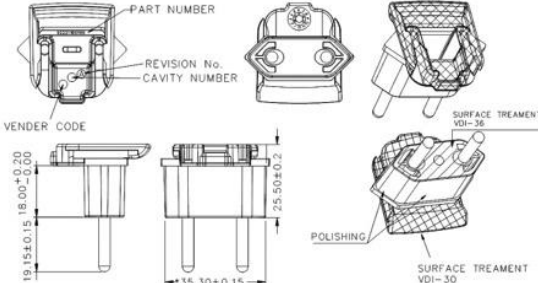

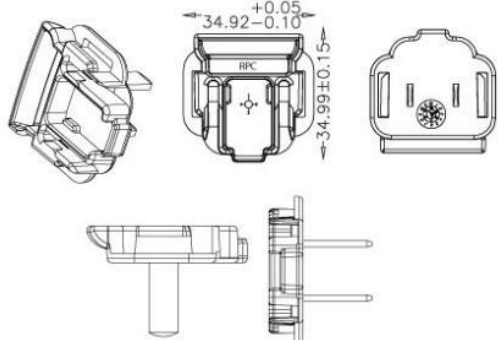

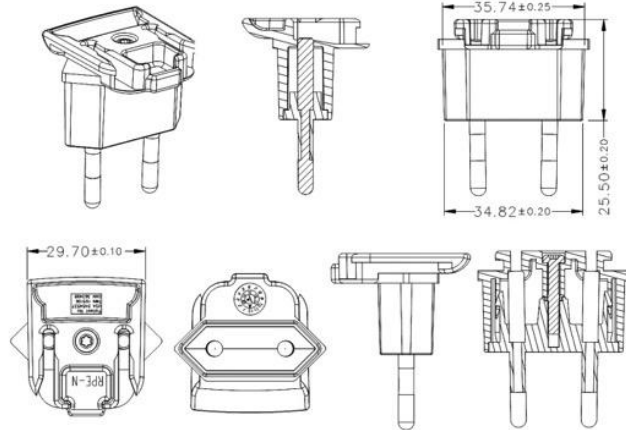
## Notes:


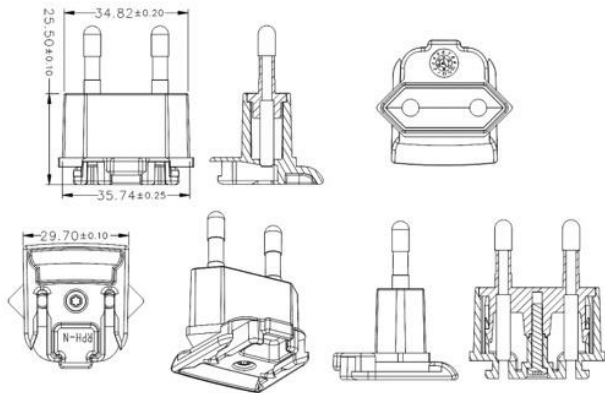

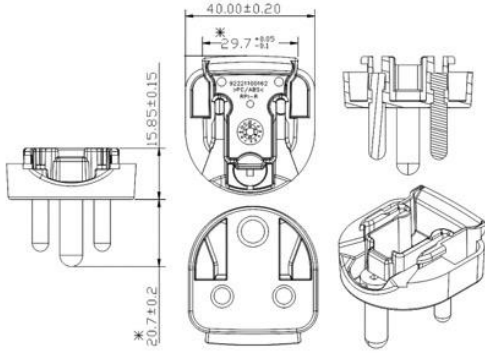

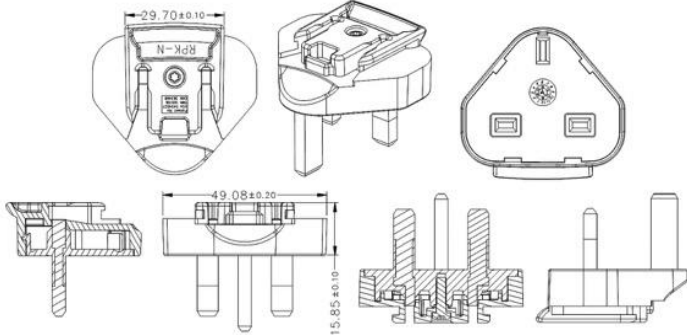

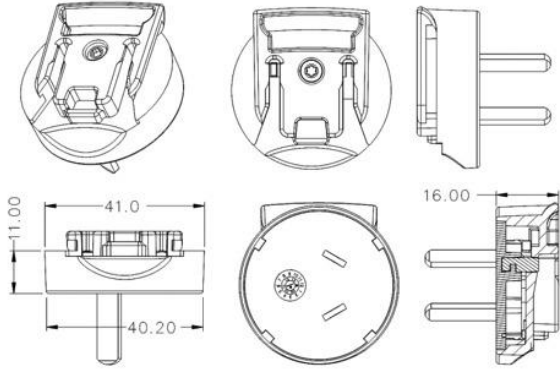
1. The characteristics defined are at ambient temperature of 25°C unless otherwise specified
2. Efficiency is measured after 30 minutes burn-in


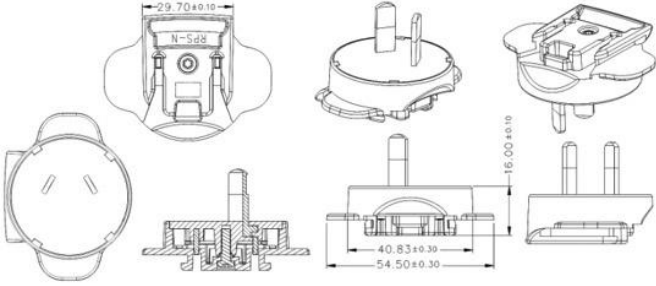

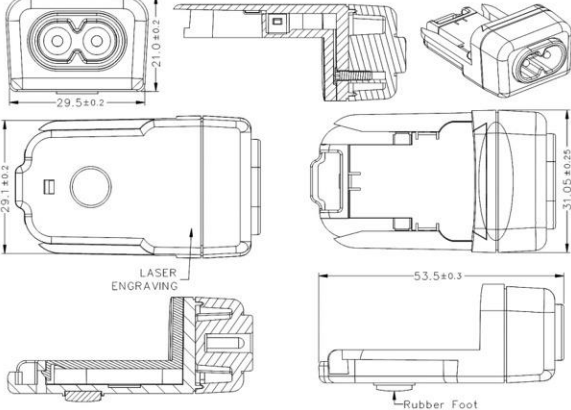

# PSAF10R-050QA-R Outline Drawing



## AC Input Clips – Sold Separately

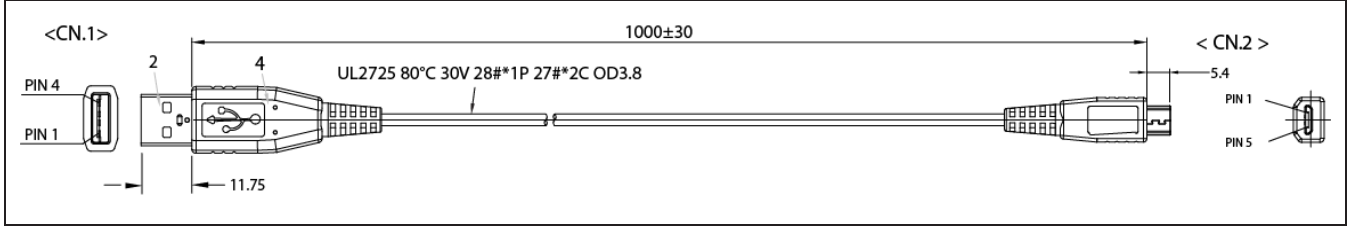
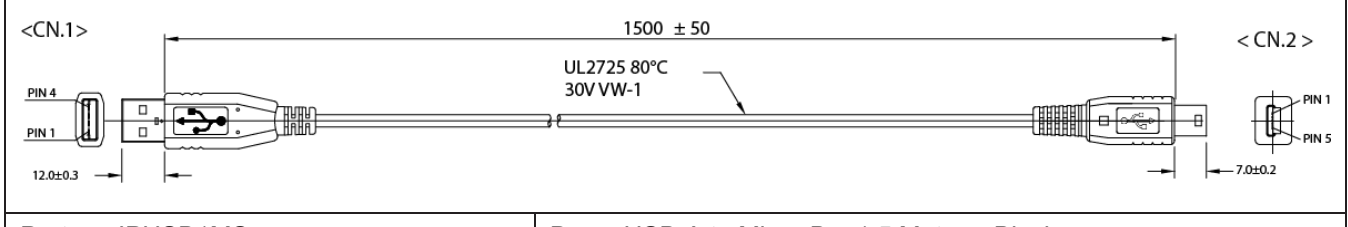
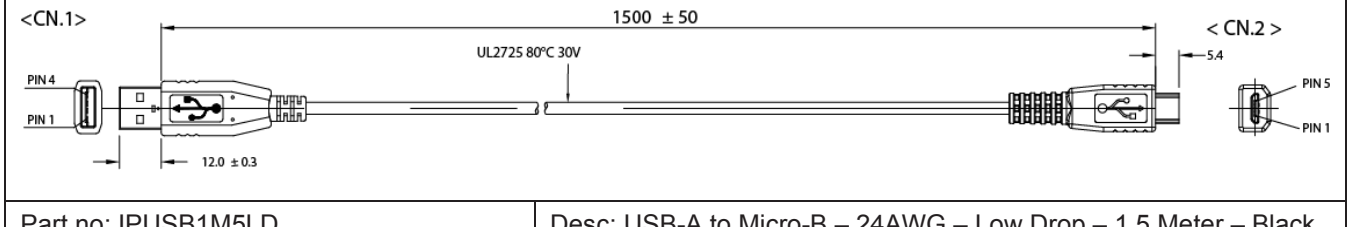
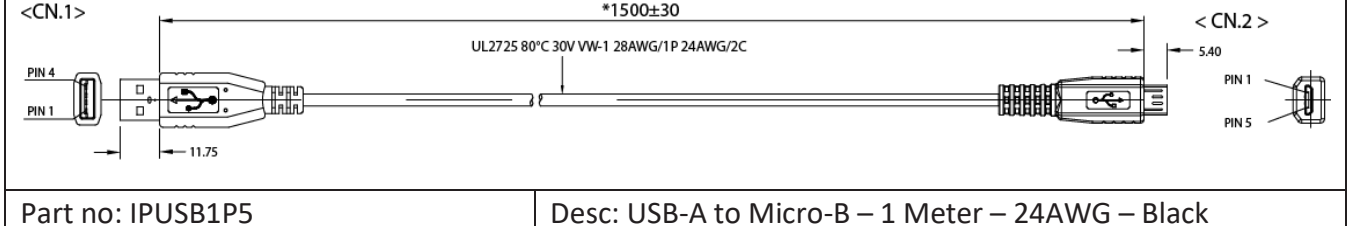
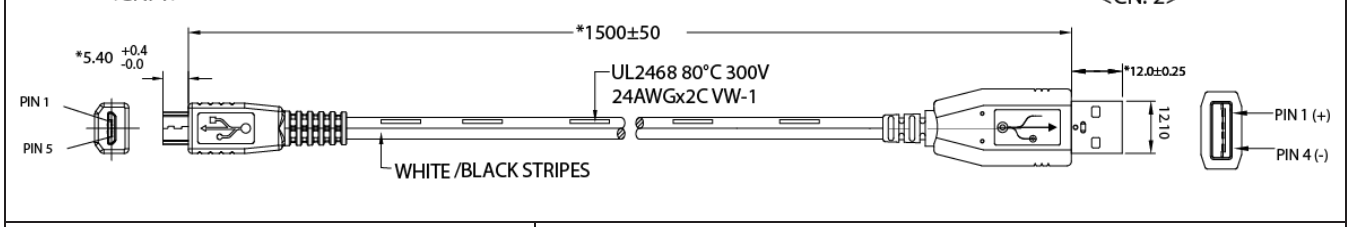
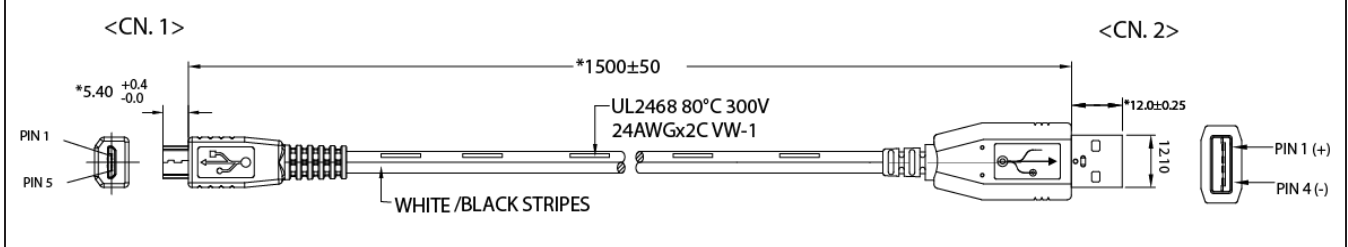
Model	Photo	Description	Outline Drawing - mm
RPA-AB01B-H		US Clip	
RPB-AB01B-H		Brazil Clip	
RPC-AB01B-H		China Clip	
RPE-AB01B-H		Europe Clip	

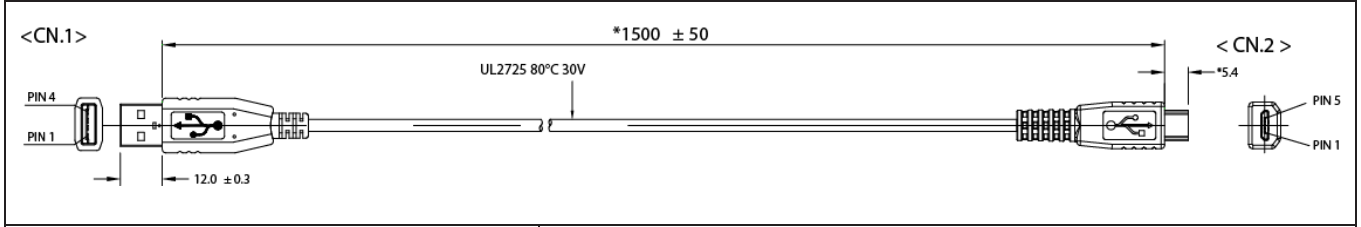
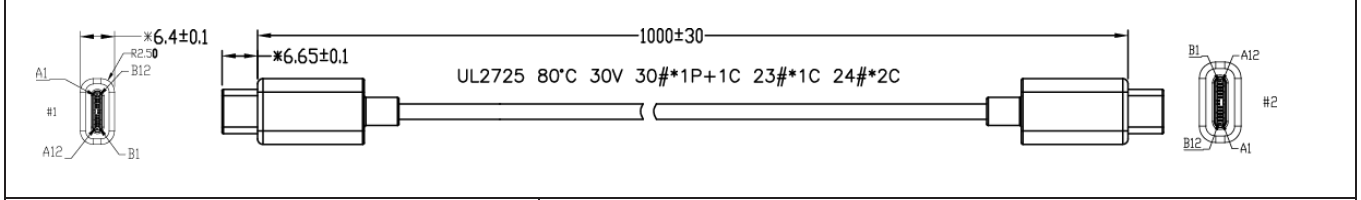
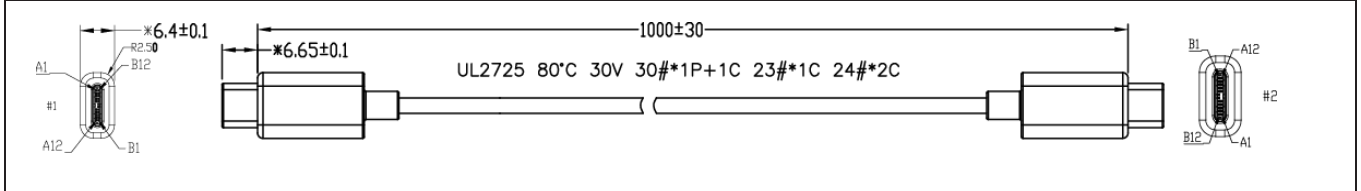
Model	Photo	Description	Outline Drawing - mm
RPH-AB01B-H		Korea Clip	
RPI-AB01B-H		India Clip	
RPK-AB01B-H		UK Clip	
RPN-AB01B-H		Argentina Clip	

Model	Photo	Description	Outline Drawing - mm
RPS-AB01B-H		Australia Clip	
RPX-03-R		C8 Clip	
RPBAG-AB01B-H	<p>Product package comes with RPA-AB01B-H, RPE-AB01B-H, RPK-AB01B-H and RPS-AB01B-H in a plastic bag.</p> 		

# USB Cables – Sold Separately

## Unit: mm

Part no: IP-USB1(C10)S	Desc: USB-A to Micro-B – 1 Meter – Black
	
Part no: IPUSB1CS	Desc: USB to Mini-B – 1.5 Meter – Black
	
Part no: IPUSB1MS	Desc: USB-A to Micro-B – 1.5 Meter – Black
	
Part no: IPUSB1M5LD	Desc: USB-A to Micro-B – 24AWG – Low Drop – 1.5 Meter – Black
	
Part no: IPUSB1P5	Desc: USB-A to Micro-B – 1 Meter – 24AWG – Black
	
Part no: IPUSB1P5W	Desc: USB-A to Micro-B – 1 Meter – 24AWG – White
	

Part no: IPUSB1MSW	Desc: USB-A to Micro-B – 1.5 Meter – White
	
Part no: UES-1001A160	Desc: Low Drop Type-C USB Cable – 1 Meter – 23AWG on Power – 30AWG on Data - Black
	
Part no: UES-1003A160	Desc: Low Drop Type-C USB Cable - 1 Meter – 23AWG on Power – 30AWG on Data - White
	

Revised 2/27/2023