

Single Port 30W Power-over-Ethernet Interchangeable* Wall Plug Adapter



Features

- DOE Level VI Compliant
- Fully Compliant with IEEE802.3at
- Non-Vented Case
- Field Interchangeable AC Clips*
- 2.5G Data Speed
- Low Cost
- Full Protection OCP, OVP
- Diagnostic LEDs
- 1 Year Warranty

Applications

- IP Telephones
- Wireless Network Access Points
- Blue Tooth Access Points
- Security Cameras
- IP Print Servers

Safety Approvals

- cUL/UL 62368-1
- IEC 62368-1

Mechanical Characteristics

- Length: 91mm (3.58in)
- Width: 60.2mm (2.37in)
- Height: 35mm (1.38in)
- Weight: 300g (0.66lbs)

Output Specifications

Model	DC Output Voltage	Load		Output Power	Data Speed	Regulation ¹	
		Min.	Max.			Line	Load
POE30R-1ATP-R	56V	10mA	0.536A	30W	2.5G	+1V/-2V	

Note:

1. Voltage measured within 5cm of output connector

POE30R-1ATP-R Characteristics²**INPUT:****AC Input Voltage Range**
90 to 264VAC**AC Input Voltage Rating**
100 to 240VAC**AC Input Current**
0.8A (RMS) max**Leakage Current**
0.25mA max**AC Input Frequency**
47-63Hz**AC Inrush Current**
70A max for 240VAC
Using Chroma 61504 AC Source
(Cold Start @ 25°C), (CPK > 1.5 at PP)**OUTPUT:****Total Output Power**
30W @40°C
15W @50°C**Ripple³**
200mV max @25°C**Efficiency⁴**
DOE Level VI**Transient O/P Voltage Protection**
60V max at switch on/off, any AC line phase**ENVIRONMENTAL:****Temperature**Operation -10 to +50°C
Non-operation -20 to +70°C
Operating Humidity 5% to 90% RH**EMC**Complies with FCC Part 15 Class B
Complies with EN55032 Class B**Immunity**Harmonic: EN61000-3-2 Class A
ESD: EN61000-4-2 Contact 8KV
Air 15KV. Criteria A
RS: EN61000-4-3 3V/M
EFT: EN61000-4-4 1KV, Criteria A
Surge: EN61000-4-5 L-L 2KV,
Criteria A
CS: EN61000-4-6 3V
Voltage Dips EN61000-4-11 Class 3**Dielectric withstand (HI-POT)**

4242VDC for 1 min., 10mA

Insulation Resistance

Primary to Secondary: >10M OHM 500VDC

FEATURES:**Over Current Protection**
≤750mA**Over Voltage Protection**
<60VDC for <0.2 seconds. Non-latching.**Short Circuit Protection**
Non-latching. Auto-recovery.**Hold-up Time**
10mS min. 120VAC/60Hz and max load**Data in/Output Connector**
Unshielded RJ45**Output Connection**
+pin 3,6 / -pins 1,2**Warranty**
1 Year**Notes:**

2. The characteristics defined are at ambient temperature of 25°C unless otherwise specified
3. Measured with by-pass capacitors 0.1uF/10uF at output connector terminal and oscilloscope set at 20Mhz (tested by oscilloscope). 20 minutes warm-up required when operating at negative temperature.
4. Efficiency is measured after 30 minutes burn-in

Revision 3/21/2023

POE30R-ATP-R Characteristics**LED Indicators**

Green blinking 1 per 3 seconds – Power Good

Green LED blinking 1 per 5 seconds – No connection

Yellow LED blinking – No Load

Green/Yellow fast blink – Fault Detected

Yellow solid – Over/Short Current Detected

AC Input Clips (sold separately)

RPA– AB01B-H: US

RPB–AB01B-H: Brazil

RPC– AB01B-H: China

RPE– AB01B-H: Europe

RPH – AB01B-H: Korea

RPI– AB01B-H: India

RPK– AB01B-H: UK

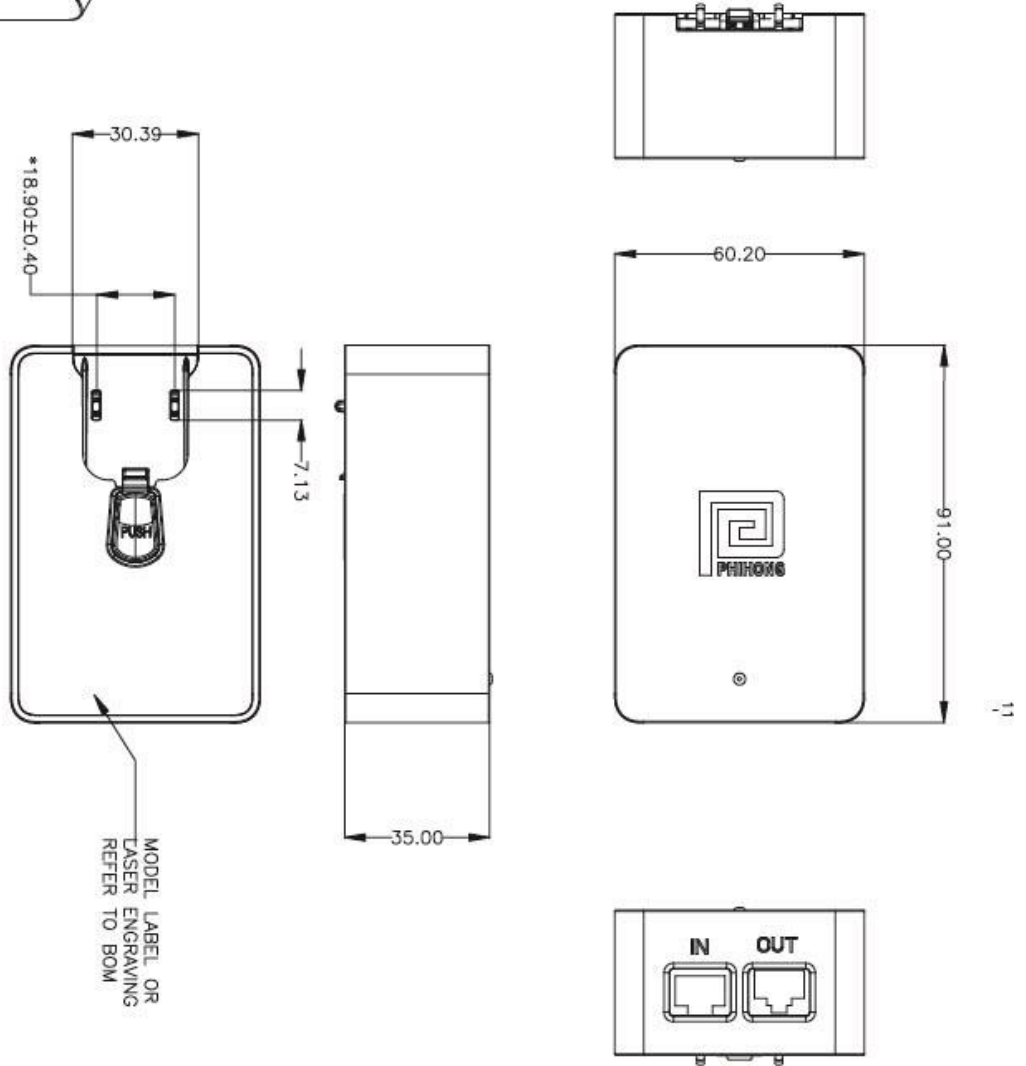
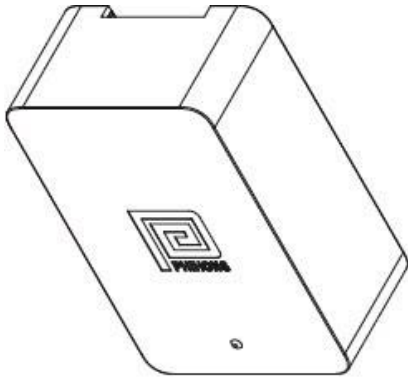
RPN – AB01B-H: Argentina

RPS – AB01B-H: Australia


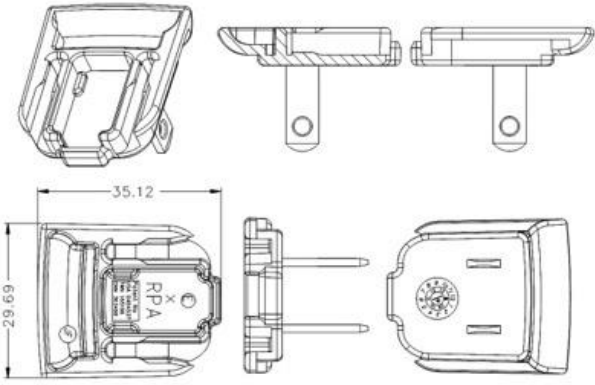

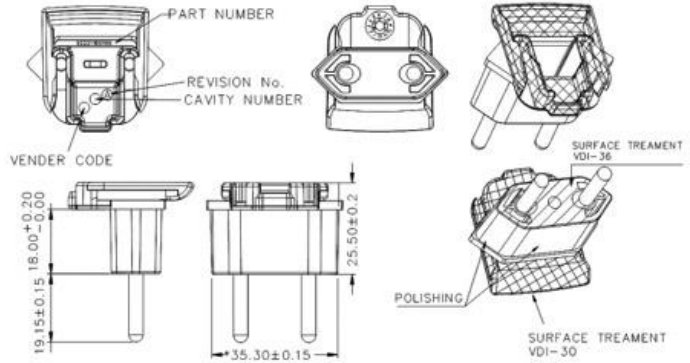

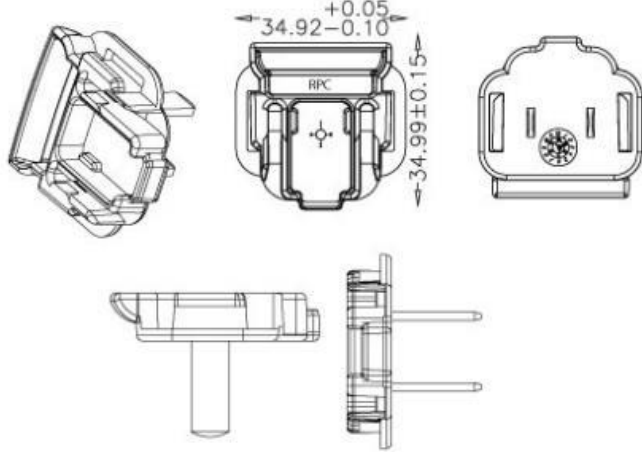
RPX-03-R: C8 Inlet

RPBAG – AB01B-H: RPA-AB01B-H, RPE-AB01B-H, RPK-AB01B-H and RPS-AB01B-H


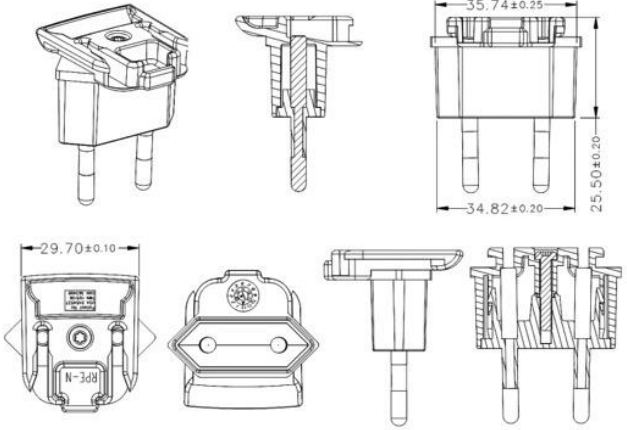

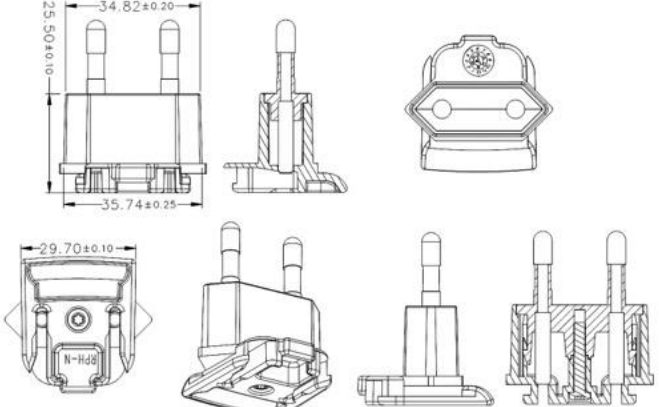

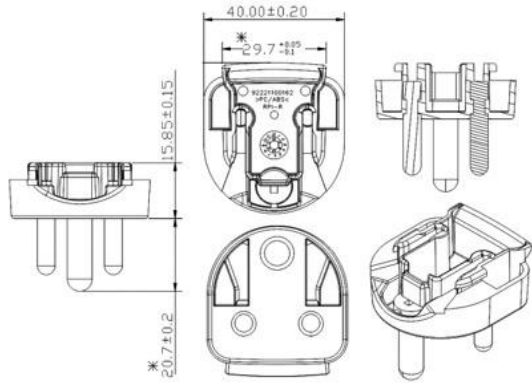

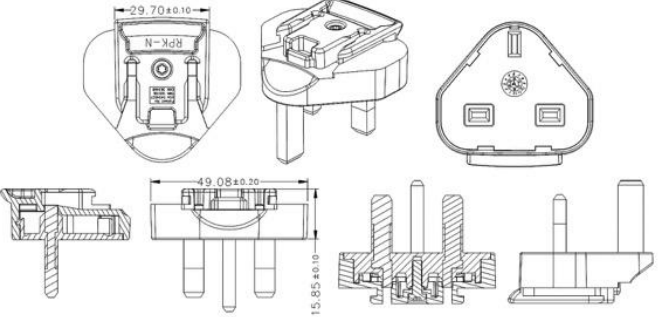
Dimensional Diagram Unit: mm


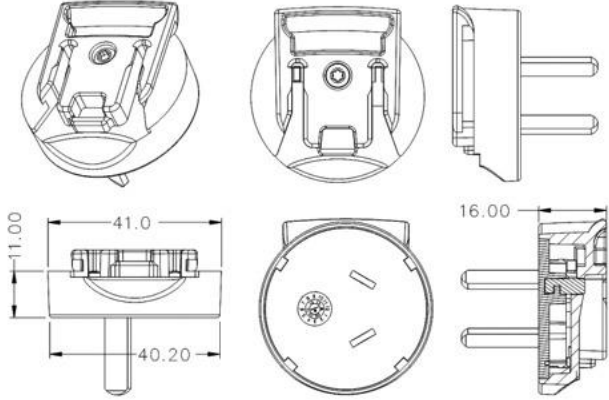

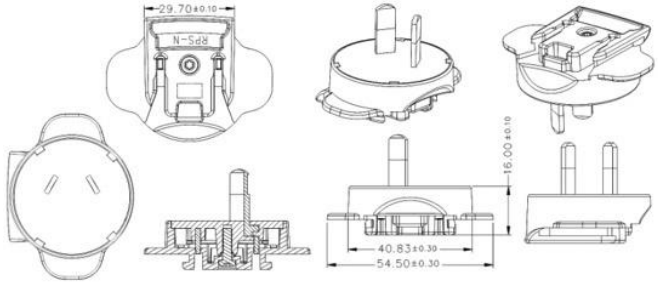


AC Input Clips – Sold Separately

Model	Photo	Description	Outline Drawing - mm
RPA-AB01B-H		US Clip	
RPB-AB01B-H		Brazil Clip	
RPC-AB01B-H		China Clip	

Revision 3/21/2023

<p>RPE-AB01B-H</p> 	<p>Europe Clip</p>	
<p>RPH-AB01B-H</p> 	<p>Korea Clip</p>	
<p>RPI-AB01B-H</p> 	<p>India Clip</p>	
<p>RPK-AB01B-H</p> 	<p>UK Clip</p>	

<p>RPN-AB01B-H</p>		<p>Argentina Clip</p>	
<p>RPS-AB01B-H</p>		<p>Australia Clip</p>	
<p>RPBAG-AB01B-H</p>	<p>RPA-AB01B-H, RPE-AB01B-H, RPK-AB01B-H and RPS-AB01B-H interchangeable clips in a plastic bag.</p> 