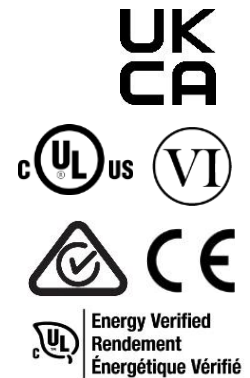


## Single Port 15.4W Power over Ethernet Interchangeable\* Wall Plug Adapter



\*Plugs sold separately

### Features

- DOE Level VI Compliant
- Fully Compliant with IEEE802.3af
- Non-Vented Case
- Field Interchangeable AC Clips\*
- Limited Power Source (LPS)
- 1G and 2.5G Data Speed Options
- Low Cost
- Full Protection OCP, OVP
- Diagnostic LEDs
- 1 Year Warranty
- Australian GEMS Registered

### Applications

- IP Telephones
- Wireless Network Access Points
- Blue Tooth Access Points
- Security Cameras
- IP Print Servers

### Safety Approvals – varies per model

- cUL/UL 62368-1
- AS/NZS 62368.1
- IEC 62368-1

### Mechanical Characteristics

- Length: 80mm (3.15in)
- Width: 45mm (1.77in)
- Height: 33mm (1.30in)
- Weight: 114g (4.0oz.)

### Output Specifications

Model	DC Output Voltage	Load		Output Power	Data Speed	Regulation	
		Min.	Max.			Line	Load
POE16R-1AFG6-R <sup>1</sup>	56V	10mA	0.275A	15.4W	1G	+1V/-2V	
POE16R-1AFG6-2-R	56V	10mA	0.275A	15.4W	2.5G	+1V/-2V	

Notes:

1. Special order item. Minimum order quantity applies.

**POE16R-1AFGyyyy-R Characteristics<sup>1</sup>****INPUT:****AC Input Voltage Range**  
90 to 264VAC**AC Input Voltage Rating**  
100 to 240VAC**AC Input Current**  
0.55A (RMS) max for 90VAC  
0.35A (RMS) max for 240VAC**Leakage Current**  
0.5mA max @ 254VAC/50Hz**AC Input Frequency**  
47-63Hz**AC Inrush Current**  
30A (RMS) max for 115VAC  
60A (RMS) max for 230VAC**OUTPUT:****Total Output Power**  
15.4W**Ripple and Regulation<sup>2</sup>**  
200mV max, 115VAC/60Hz and  
230VAC/50Hz**Efficiency<sup>3</sup>**  
DOE Level VI  
Australian GEMS**Transient O/P Voltage Protection**  
60V max at switch on/off, any AC line  
phase**ENVIRONMENTAL:****Temperature**Operation -20 to +45°C  
Non-operation -20 to +75°C  
Humidity 5 to 90%**EMC**Complies with FCC Part 15 Class B  
Complies with EN55032 Class B  
Complies with AS/NZS CISPR 32 Class B**Immunity**Harmonic: EN61000-3-2 Class A  
ESD: EN61000-4-2. Contact 6KV  
Air 8KV. Criteria B  
RS: EN61000-4-3. 3V/M  
EFT: EN61000-4-4. 1KV input  
0.5KV output  
Surge: EN61000-4-5. L-N 1KV  
L-G 2KV  
CS: EN61000-4-6. 3V  
Voltage Dips EN61000-4-11 Class 3**Dielectric withstand (HI-POT)**  
4242VDC for 1 sec, 10mA, 4 sec ramp time**Insulation Resistance**

Primary to Secondary: &gt;10M OHM 500VDC

**FEATURES:****Over Current Protection**  
≤450mA**Over Voltage Protection**  
< 120VDC – Latching.**Short Circuit Protection**  
300-450mA for 50-75ms**Hold-up Time**  
16mS min. 120VAC/60Hz and max load**Data in/Output Connector**  
RJ45**Output Connection**  
+pin 3,6 / -pins 1,2**Warranty**  
1 Year

## Notes:

1. The characteristics defined are at ambient temperature of 25°C unless otherwise specified
2. Measured with by-pass capacitors 0.1uF/10uF at output connector terminal and oscilloscope set at 20Mhz (tested by oscilloscope). 20 minutes warm-up required when operating at negative temperature.
3. Efficiency is measured after 30 minutes burn-in

### **POE16R-1AFGyyyy-R Characteristics**

#### **LED Indicators**

Bicolor LED GREEN/YELLOW

Blinking GREEN – Unit is “ON” Active with  
No Load

Solid GREEN – Unit has detected a Valid  
IEEE802.3af Load

Blinking YELLOW/GREEN – Unit has  
detected an Invalid Load

Blinking YELLOW – Unit is in Over  
Load/Short Condition

#### **AC Input Clips (sold separately)**

RPA– AB01B-H: US

RPB–AB01B-H: Brazil

RPC– AB01B-H: China

RPE– AB01B-H: Europe

RPH – AB01B-H: Korea

RPI– AB01B-H: India

RPK– AB01B-H: UK

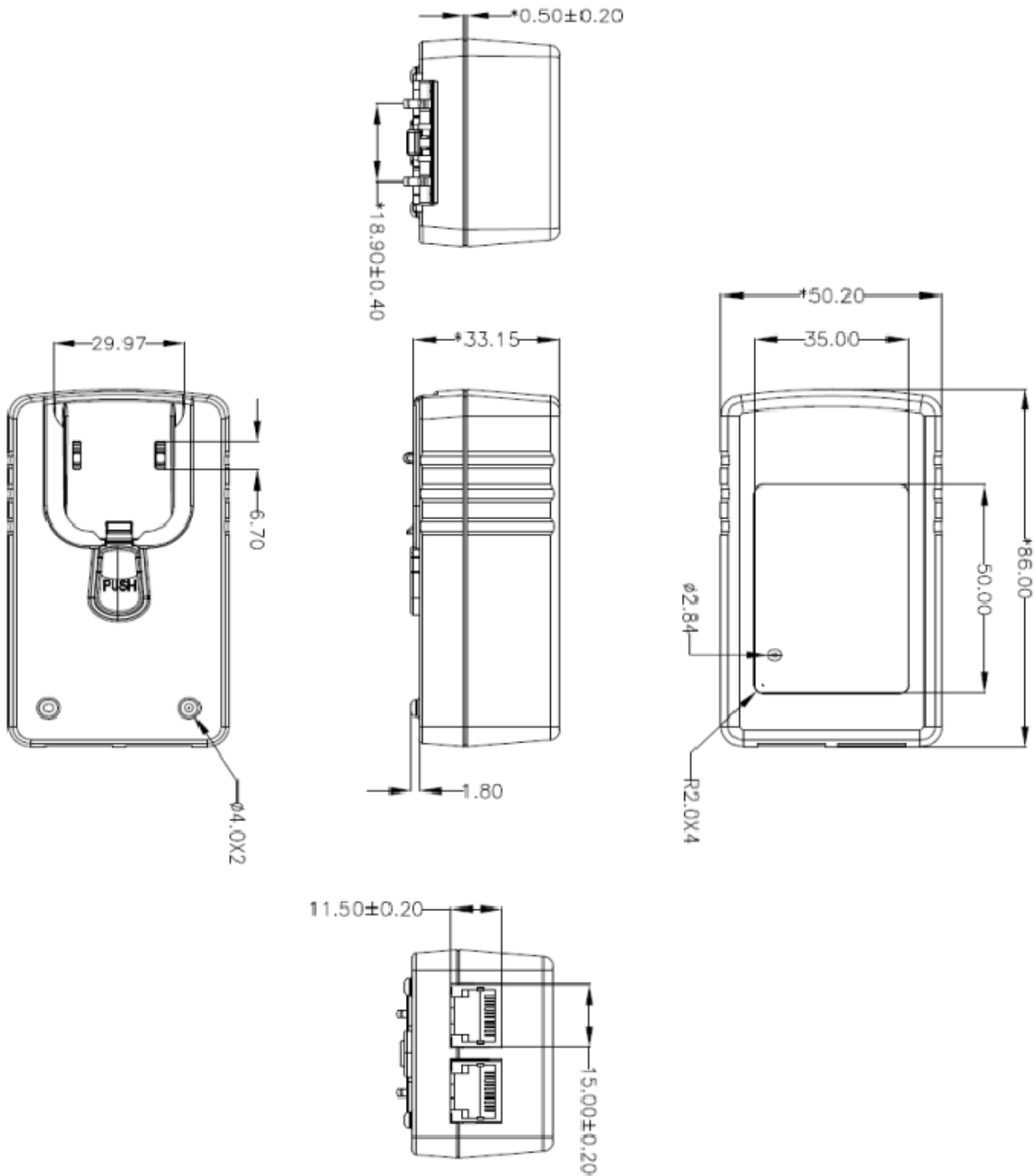
RPN – AB01B-H: Argentina

RPS – AB01B-H: Australia


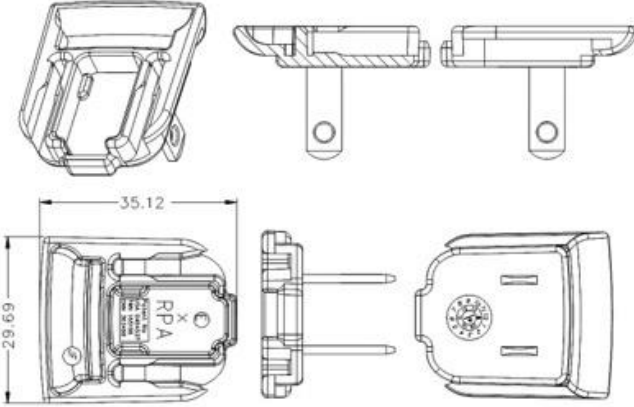

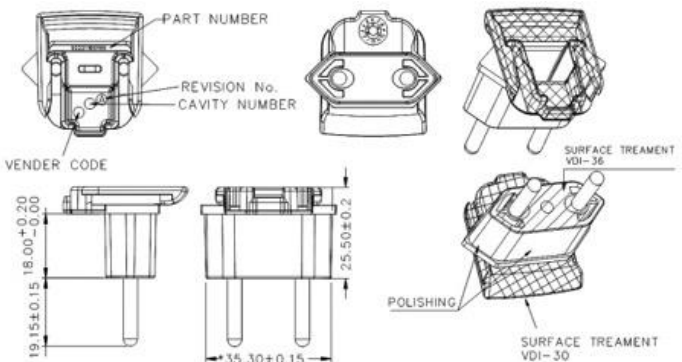

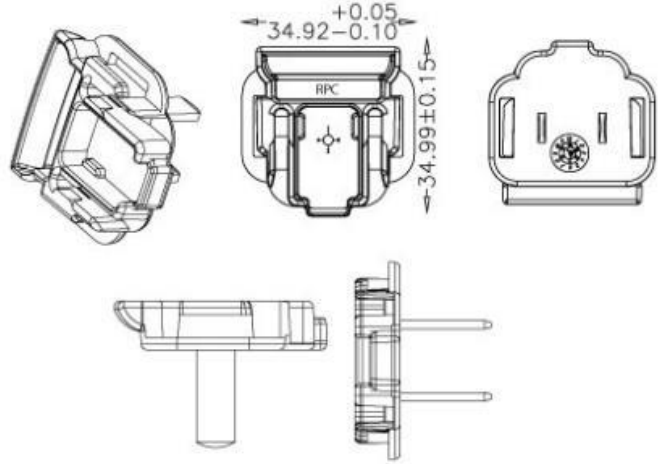
RPBAG – AB01B-H: RPA-AB01B-H, RPE-  
AB01B-H, RPK-AB01B-H and RPS-AB01B-H


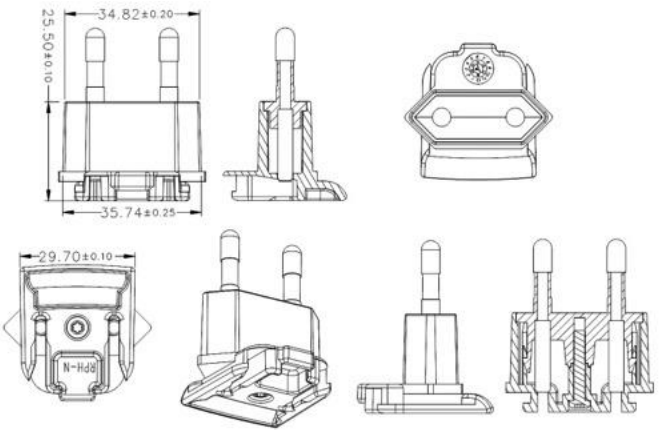

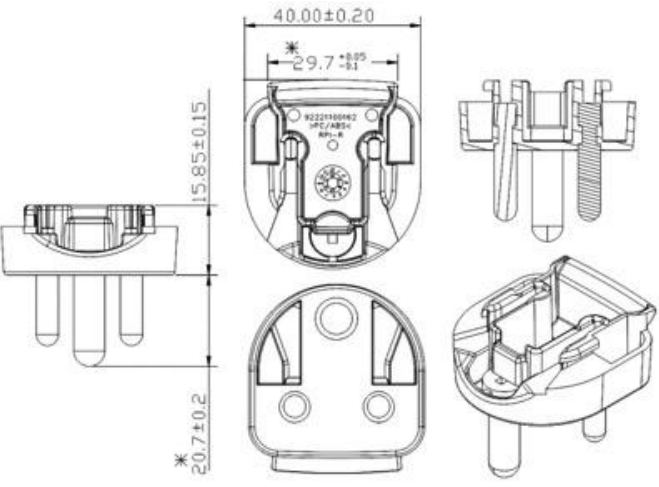

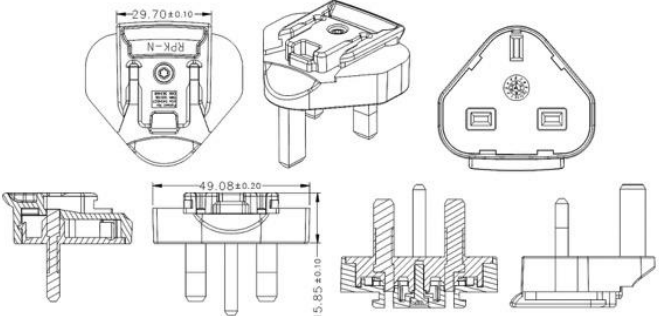
RPX-03-R: C8 Clip


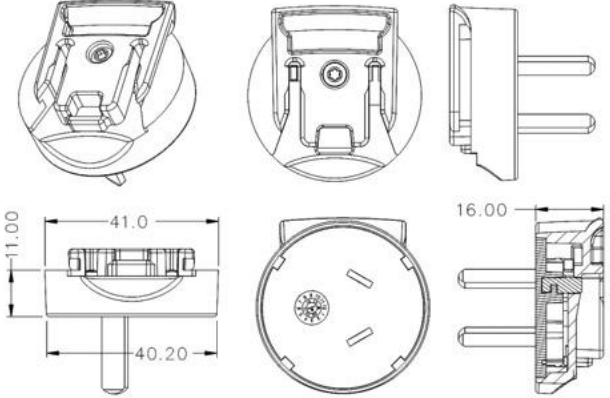

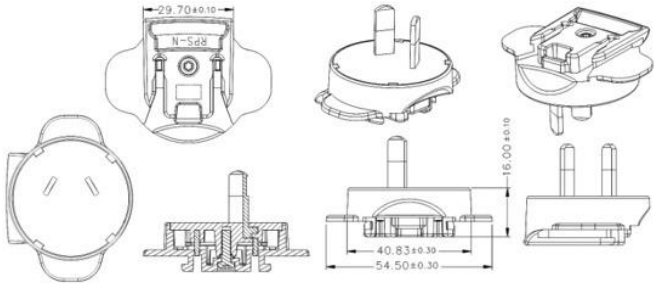

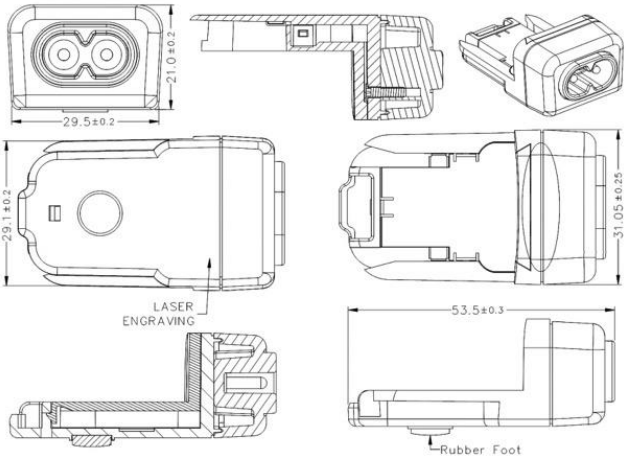

**Dimensional Diagram Unit: mm**



# AC Input Clips – Sold Separately

Model	Photo	Description	Outline Drawing - mm
RPA-AB01B-H		US Clip	
RPB-AB01B-H		Brazil Clip	
RPC-AB01B-H		China Clip	

Model	Photo	Description	Outline Drawing - mm
RPH-AB01B-H		Korea Clip	
RPI-AB01B-H		India Clip	
RPK-AB01B-H		UK Clip	

Model	Photo	Description	Outline Drawing – mm
RPN-AB01B-H		Argentina Clip	
RPS-AB01B-H		Australia Clip	
RPX-03-R		C8 Clip	
RPBAG-AB01B-H	<p>RPA-AB01B-H, RPE-AB01B-H, RPK-AB01B-H and RPS-AB01B-H interchangeable clips in a plastic bag.</p> 		

Revision 2/28/2023