

## 10W Medical Grade Adapter with Interchangeable Plugs\*



\*Plugs sold separately

### Features

- DoE Level VI & CoC V5 Tier 2
- Field Changeable AC Plugs
- 2XMOPP Isolation
- Class II
- Suitable for BF applications with system consideration
- LPS compliant
- IP21 rating
- OVP, OCP, SCP, OTP, brown-in and brown-out protections

### Applications

- Home healthcare equipment
- Patient monitor
- Portable medical devices
- ECG machine
- Respirator

### Approvals and Certifications

- ANSI/AAMI ES 60601-1
- CAN/CSA C22.2 No.60601-1
- IEC60601-1-2:2014(4<sup>TH</sup> Edition)
- IEC60601-1-6:2010 + AMD1:2013
- IEC 60601-1:2005 + A1:2012 (Edition 3.1)
- IEC60601-1-11:2015
- IEC62366:2007 + A1:2014

### Mechanical Characteristics

- Length: 71.7mm (2.82in)
- Width: 50mm (1.97in)
- Height: 40mm (1.57in)

### Output Specifications

Model	DC Output Voltage	Load		Ripple <sup>1</sup> P-P (max.)	Regulation Line & Load
		Min.	Max.		
PMA10R-050AW-R	5V	0A	2A	100mV	±5%

Notes:

1. Test by 20Mhz bandwidth mode hi resolution with 10uF and 0.1uF capacitor
2. The characteristics defined are at ambient temperature of 25°C unless otherwise specified

**PMA10R-050AW-R Characteristics<sup>2</sup>**

**Input:**

**AC Input Voltage Rating**  
 115 to 230V AC

**AC Input Voltage Range**  
 90 to 264V AC

**AC Input Frequency**  
 47 to 63Hz

**Input Current**  
 0.3A max at 100VAC

**Leakage Current**  
 <100uA at 264VAC/50Hz

**Inrush Current**  
 60A maximum at 240V AC  
 (Cold start & at input rated voltage +/-10%)

**Output:**

**Efficiency**  
 DOE Level VI  
 CoC V5 tier 2

**Environmental:  
 Temperature**

Operation                    5 to +40°C  
 Non-operation                -25 to +70°C  
 Relative Humidity            93% RH Max

**Emissions**

Complies with CISPR 11 Class B

**Immunity**

ESD:                            EN 61000-4-2,  
 RS :                             EN61000-4-3  
 EFT/Burst :                    EN61000-4-4  
 Surge:                         EN 61000-4-5  
 CS :                             EN61000-4-6  
 Power Frequency Magnetic Field: EN61000-4-8  
 Voltage Dips :                EN61000-4-11

**Over-Voltage Protection**  
 9V maximum

**Short-Circuit Protection**  
 The power supply shall be protected when operating any output in overload condition, or when operating any output in a short. The power supply shall be self-recovering when the fault condition is removed circuit condition.

**Over-Current Protection**  
 The power supply will be protected when output power at 2.3A(RMS) of all rated dc output

**Over-Temperature Protection**  
 Over-temperature protection sensor

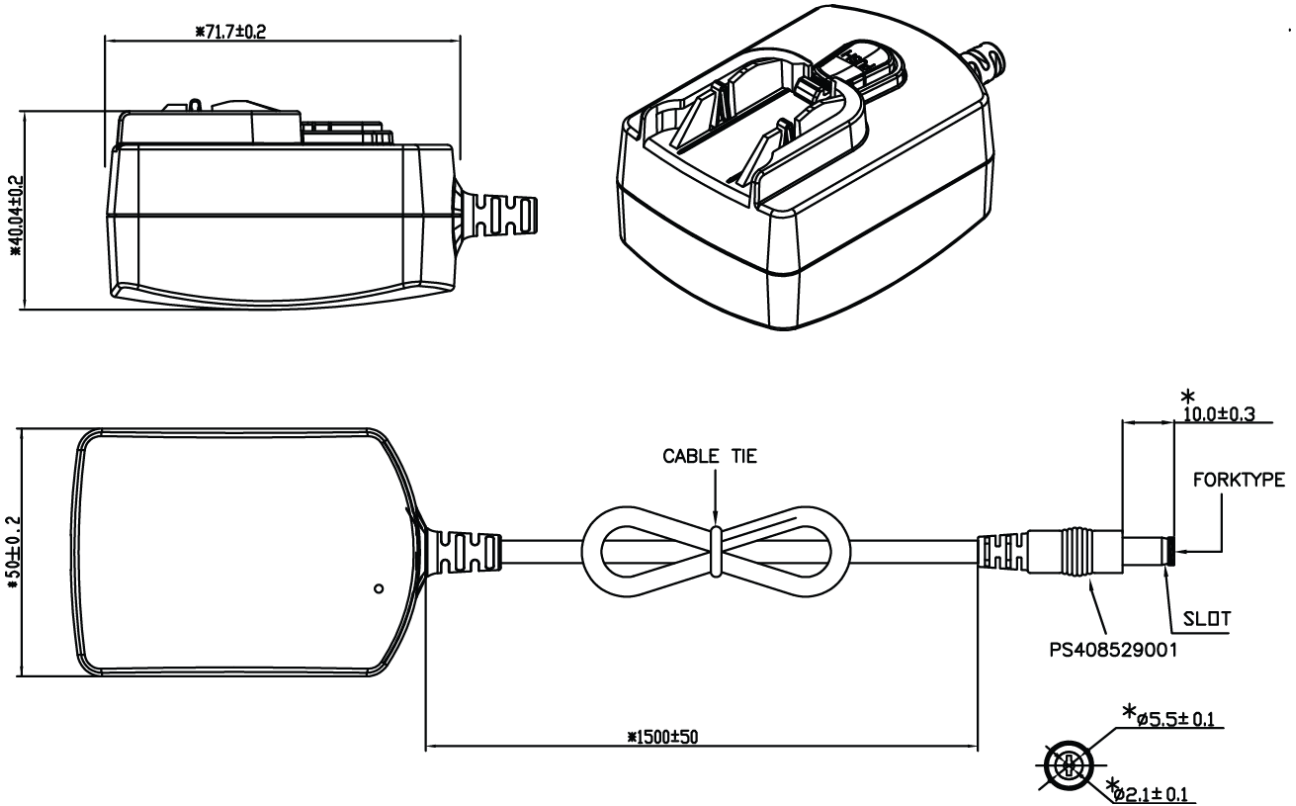
**Dielectric Withstand (Hi-pot) Test**  
 Pri. to Sec. >4000VAC 10mA for 1 Minute

**DC Output Connector**  
 DC plug type 5.5 x 2.1 x 10mm (fork & groove)  
 DC plug pin assignment:  
 Inner (+V), Outer GND(-)

**Medical AC Input Clips (sold separately):**

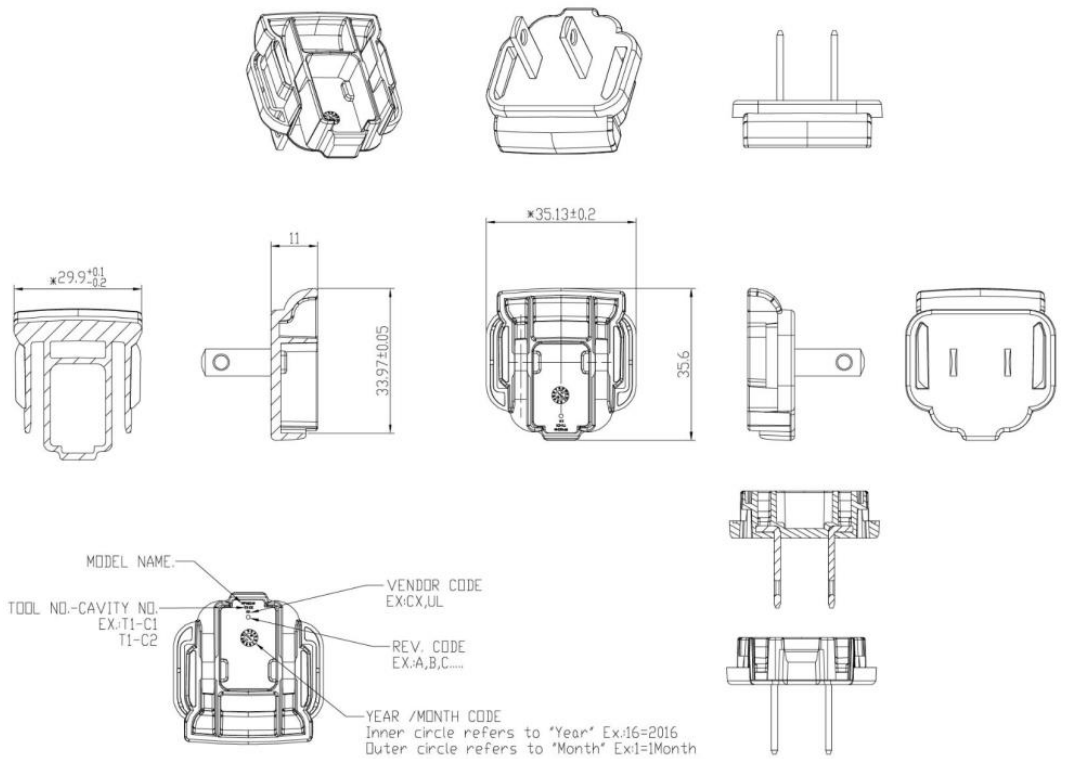
<b>Part no:</b>	<b>Description:</b>
RPA-MAB1W	US – white
RPB-MAB1W	Brazil – white
RPE-MAB1W	Euro – white
RPH-MAB1W	Korea – white
RPK-MAB1W	UK – white
RPN-MAB1W	Argentina – white
RPS-MAB1W	AU – white

Dimension Diagram Unit: mm

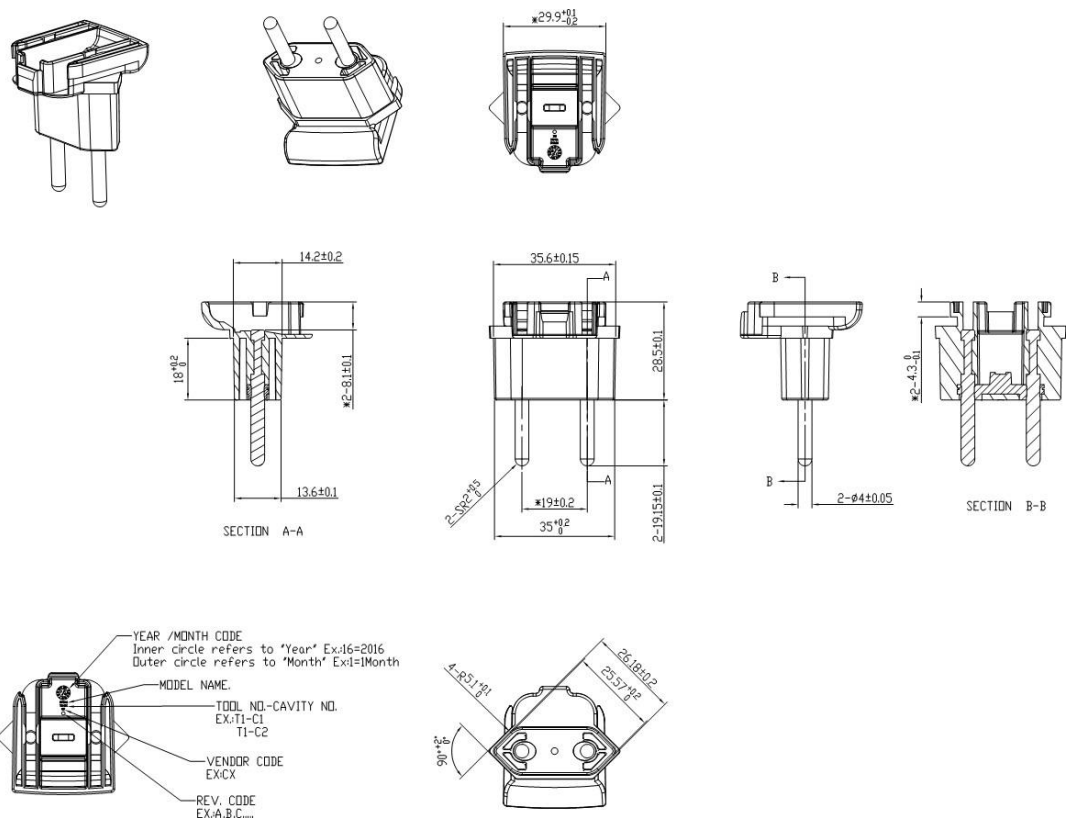


**AC Input Clips (sold separately)**

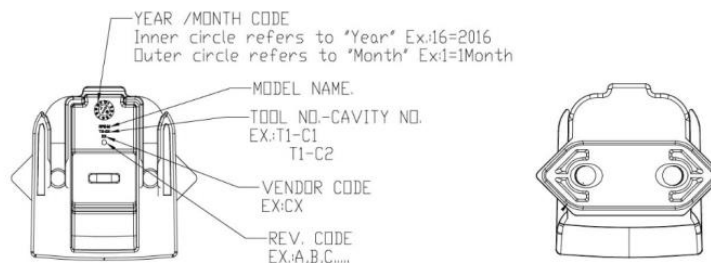
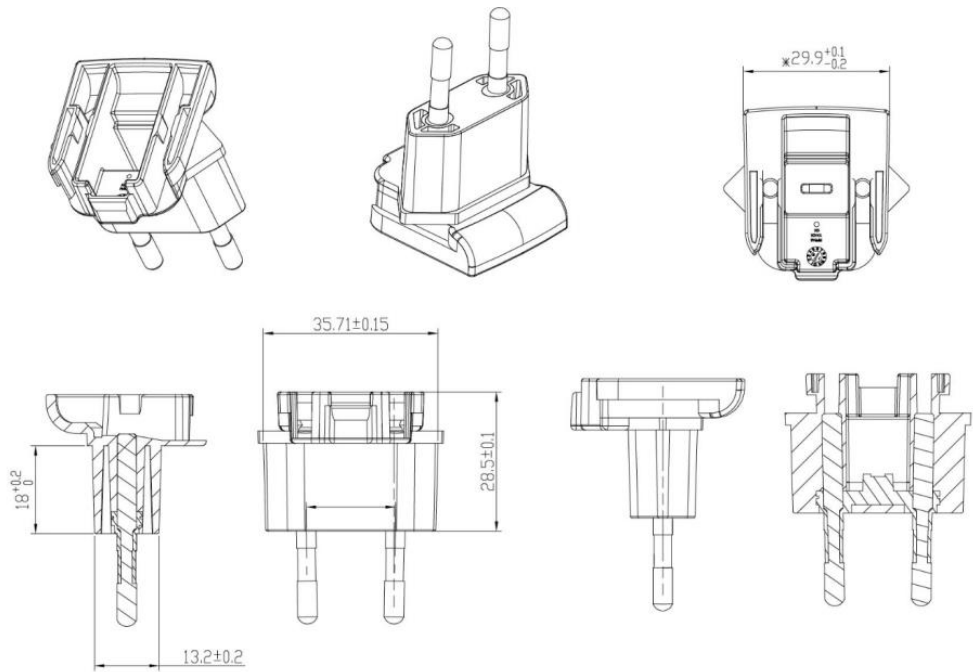
RPA-MAB1W:  
 US – white



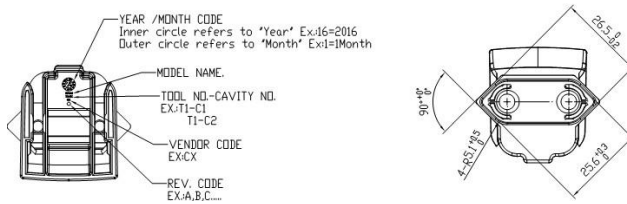
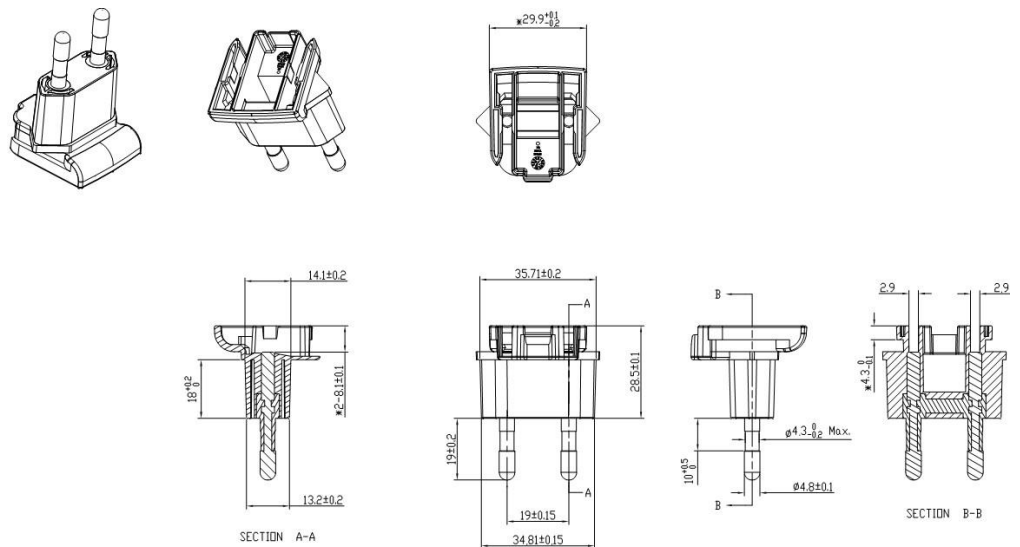
RPB-MAB1W:  
 Brazil – white



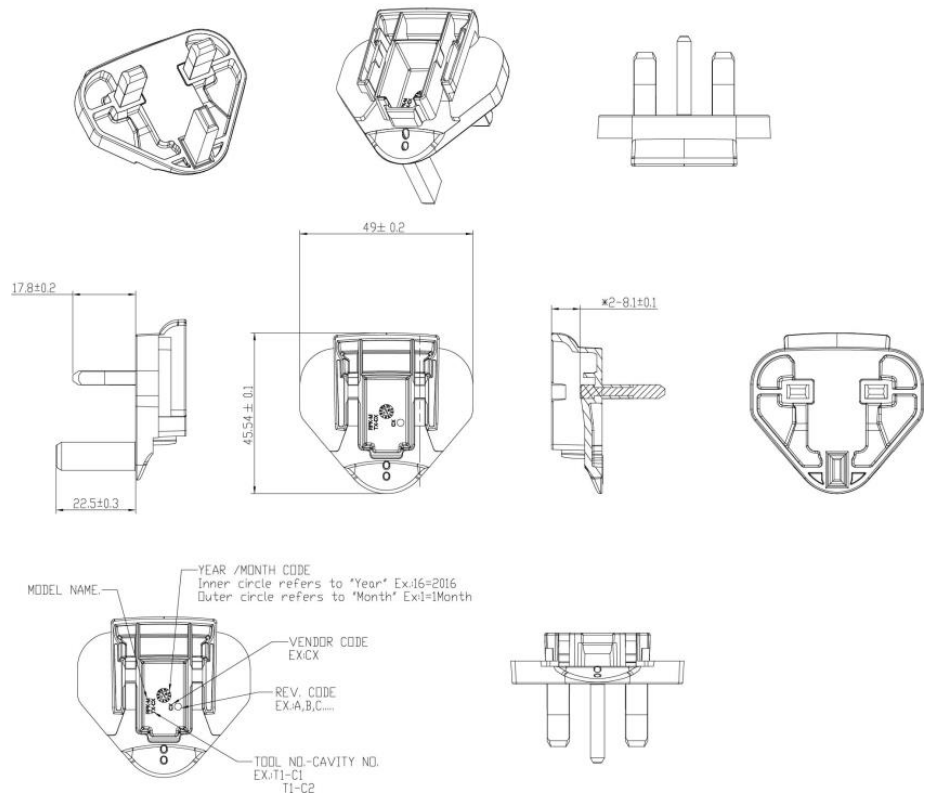
**RPE-MAB1W:**  
 Euro – white



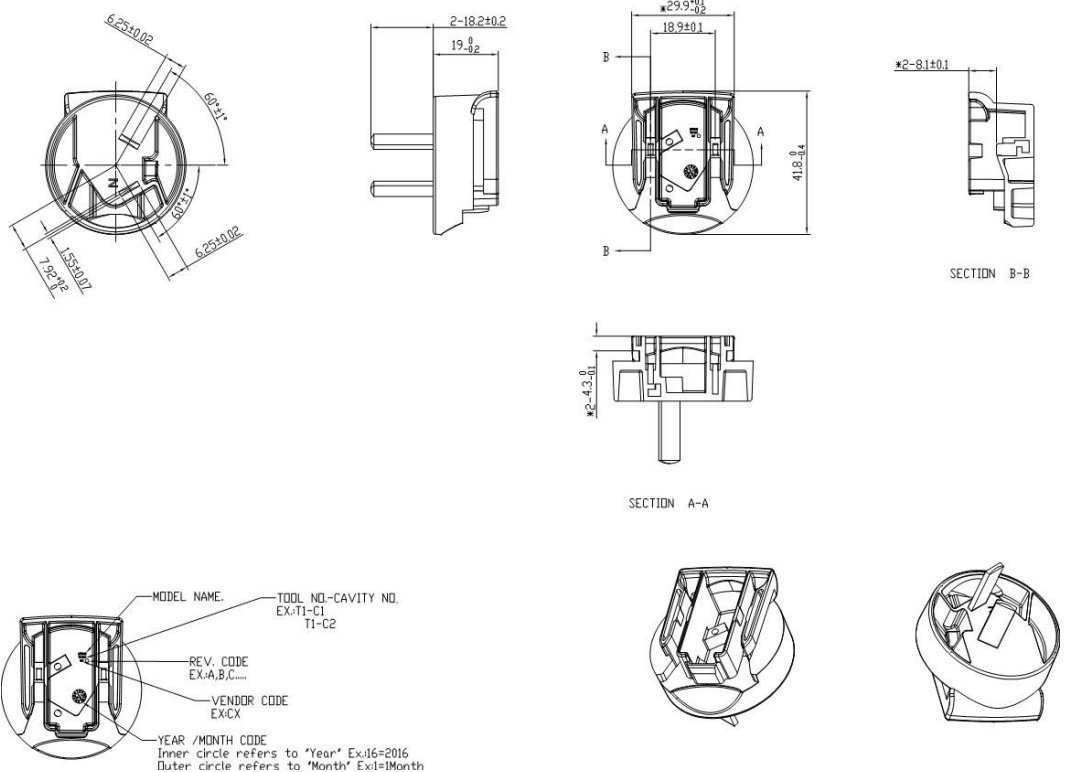
**RPH-MAB1W:**  
 Korea – white



**RPK-MAB1W:**  
 UK – white

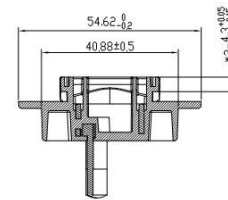
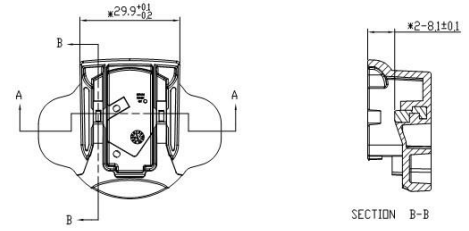
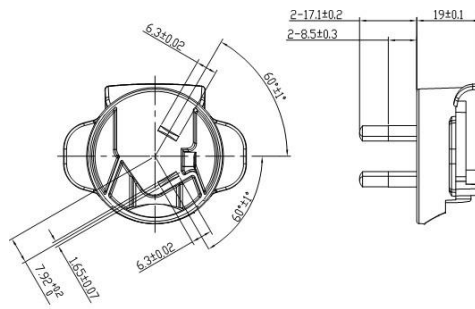


**RPN-MAB1W:**  
 Argentina – white

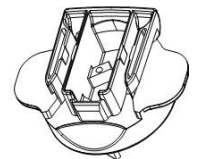
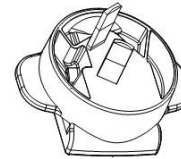
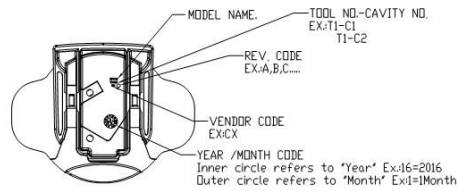




RPS-MAB1W:  
 Australia – white



SECTION A-A



Revised 8/11/2022