



■ Features

- DIP 24 package with international standard pinout
- 4:1 wide input range
- Low patient leakage current <math><5\mu\text{A}</math>
- Wide operating temperature range $-40 \sim +90^{\circ}\text{C}$
- Medical safety approved (2xMOPP) according to IEC60601-1
- Protections: Short circuit (Continuous) / Overload
- 6KVDC or 4.2KVAC high I/O isolation (Reinforced isolation)
- 3 years warranty

■ Applications

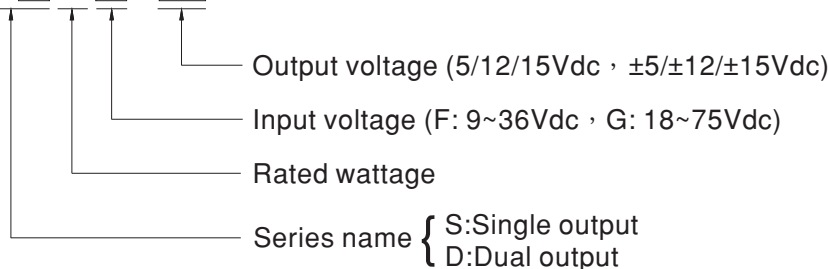
- Medical devices
- Medical oxygen monitor
- CT scanning
- Medical carts
- Oral care equipment
- Industrial control system

■ Description

MDS03 and MDD03 series are 3W isolated and regulated module type medical grade DC-DC converter with DIP 24 package. It features international standard pins, a high efficiency up to 81%, wide working temperature range $-40 \sim +90^{\circ}\text{C}$, 6KVDC or 4.2KVAC I/P-O/P high isolation voltage, compliance with IEC60601-1 medical standard, continuous-mode short circuit protection, etc. The models account for different input voltage $9 \sim 36\text{V}$ and $18 \sim 75\text{V}$ 4:1 wide input range, and various output voltage, 5V/12V/15V for single output and $\pm 5\text{V}/\pm 12\text{V}/\pm 15\text{V}$ for dual output. Which are suitable for medical systems, ultra low leakage current.

■ Model Encoding

MD S 03 F - 12



MODEL SELECTION TABLE							
ORDER NO.	INPUT			OUTPUT		EFFICIENCY (TYP.)	CAPACITOR LOAD (MAX.)
	INPUT VOLTAGE (RANGE)	INPUT CURRENT		OUTPUT VOLTAGE	OUTPUT CURRENT		
		NO LOAD	FULL LOAD				
MDS03F-05	Normal 12V,24V (9 ~ 36V)	20mA	320mA	5V	0 ~ 600mA	80%	330 μ F
MDS03F-12		20mA	320mA	12V	0 ~ 250mA	80%	47 μ F
MDS03F-15		20mA	320mA	15V	0 ~ 200mA	80%	47 μ F
MDD03F-05		20mA	316mA	\pm 5V	\pm 30 ~ 300mA	80%	*220 μ F
MDD03F-12		20mA	316mA	\pm 12V	\pm 12.5 ~ 125mA	79%	*47 μ F
MDD03F-15		20mA	320mA	\pm 15V	\pm 10 ~ 100mA	79%	*22 μ F
MDS03G-05		Normal 24V,48V (18 ~ 75V)	15mA	160mA	5V	0 ~ 600mA	80%
MDS03G-12	15mA		160mA	12V	0 ~ 250mA	80%	47 μ F
MDS03G-15	15mA		160mA	15V	0 ~ 200mA	81%	47 μ F
MDD03G-05	15mA		158mA	\pm 5V	\pm 30 ~ 300mA	80%	*220 μ F
MDD03G-12	15mA		158mA	\pm 12V	\pm 12.5 ~ 125mA	80%	*47 μ F
MDD03G-15	15mA		158mA	\pm 15V	\pm 10 ~ 100mA	80%	*22 μ F

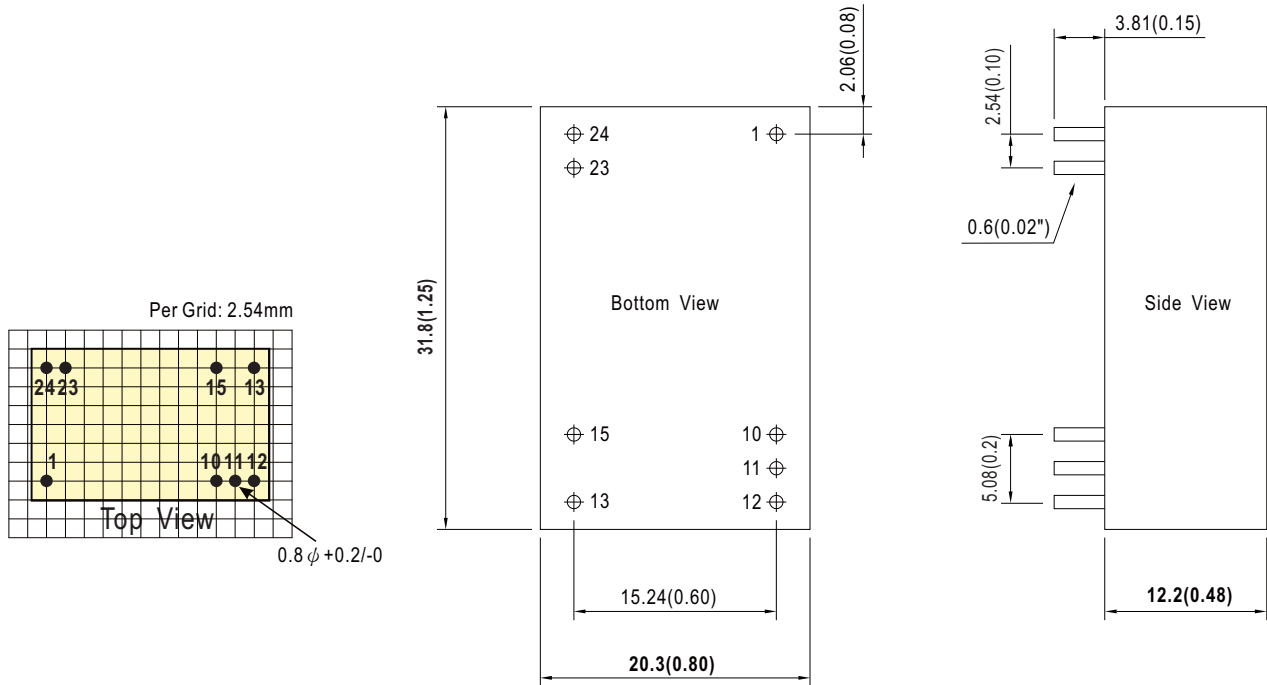
* For each output

File Name:MDS03,MDD03-SPEC 2021-07-12

SPECIFICATION				
INPUT	VOLTAGE RANGE	F: 9 ~ 36Vdc , G: 18 ~ 75Vdc		
	SURGE VOLTAGE (100ms max.)	F models : 50Vdc ; G models : 100Vdc		
	FILTER	Pi type		
	PROTECTION (Typ.)	Fuse recommended. F models: 2A slow-blow Type, G models: 1A slow-blow Type		
OUTPUT	VOLTAGE ACCURACY	±2%		
	RATED POWER	3W		
	RIPPLE & NOISE Note.2	150mVp-p		
	LINE REGULATION Note.3	±0.5%		
	LOAD REGULATION Note.4	±0.5%		
	SWITCHING FREQUENCY (Typ.)	250KHz		
PROTECTION	SHORT CIRCUIT	Protection type : Continuous, automatic recovery		
	OVERLOAD	110 ~ 250% rated output power Protection type : Recovers automatically after fault condition is removed		
ENVIRONMENT	COOLING	Free-air convection		
	WORKING TEMP.	-40 ~ +90°C (Refer to "Derating Curve")		
	CASE TEMPERATURE	+105°C max.		
	WORKING HUMIDITY	20% ~ 90% RH non-condensing		
	STORAGE TEMP., HUMIDITY	-55 ~ +125°C, 10 ~ 95% RH non-condensing		
	TEMP. COEFFICIENT	0.05% / °C (0 ~ 71°C)		
	SOLDERING TEMPERATURE	1.5mm from case of 3 ~ 5sec./265°C max.		
	VIBRATION	10 ~ 500Hz, 2G 10min./1cycle, period for 60min. each along X, Y, Z axes		
SAFETY & EMC (Note.5)	SAFETY STANDARDS	IEC60601-1(LVD) 3 rd edition, EAC TP TC 004 approved		
	WITHSTAND VOLTAGE	I/P-O/P:6KVDC or 4.2KVAC		
	ISOLATION RESISTANCE	I/P-O/P:1000M Ohms / 500VDC / 25°C / 70% RH		
	ISOLATION LEVEL	Primary-secondary: 2xMOPP when system input voltage is with 250VAC, 50/60Hz		
	ISOLATION CAPACITANCE (Typ.)	20pF		
	EMC EMISSION	Parameter	Standard	Test Level / Note
		Conducted	BS EN/EN55011	N/A
		Radiated	BS EN/EN55011	Class A without external components
	EMC IMMUNITY	Parameter	Standard	Test Level / Note
		ESD	BS EN/EN61000-4-2	±15KV air
		Radiated Susceptibility	BS EN/EN61000-4-3	10V/m
		EFT/Burest	BS EN/EN61000-4-4	±2KV
		Surge	BS EN/EN61000-4-5	±2KV Line-Line
		Conducted	BS EN/EN61000-4-6	10Vrms(e.m.f.)
Magnetic Field		BS EN/EN61000-4-8	30A/m	
OTHERS	MTBF	>454Khrs MIL-HDBK-217F(25°C)		
	DIMENSION (L*W*H)	31.8*20.3*12.2mm (1.25*0.8*0.48 inch)		
	CASE MATERIAL	UL94V-0 plastic case		
	PACKING	17g ; 15pcs/per tube, 750pcs/50 tube max./carton		
NOTE	1.All parameters are specified at normal input(F: 12Vdc, G: 24Vdc), rated load, 25°C 70% RH ambient. 2.Ripple & noise are measured at 20MHz by using a 12" twisted pair terminated with a 0.1µf & 47µf capacitor. 3.Line regulation is measured from low line to high line at rated load. 4.Load regulation is measured from 10% to 100% rated load for MDD03. 5.The final equipment must be re-confirm that it still meet EMC directives. For guidance on how to perform these EMC tests, please refer to "EMI testing of component power supplies."(as available on http://www.meanwell.com) ※ Product Liability Disclaimer : For detailed information, please refer to https://www.meanwell.com/serviceDisclaimer.aspx			

Mechanical Specification

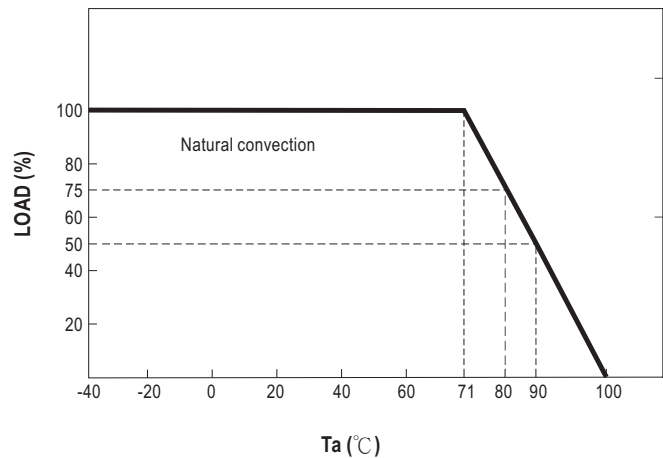
- All dimensions in mm(inch)
- Tolerance: x.x or x.xx±0.5mm(x.xx±0.02")
- Pin size is: 0.6±0.10mm (0.02" ±0.004")



Plug Assignment

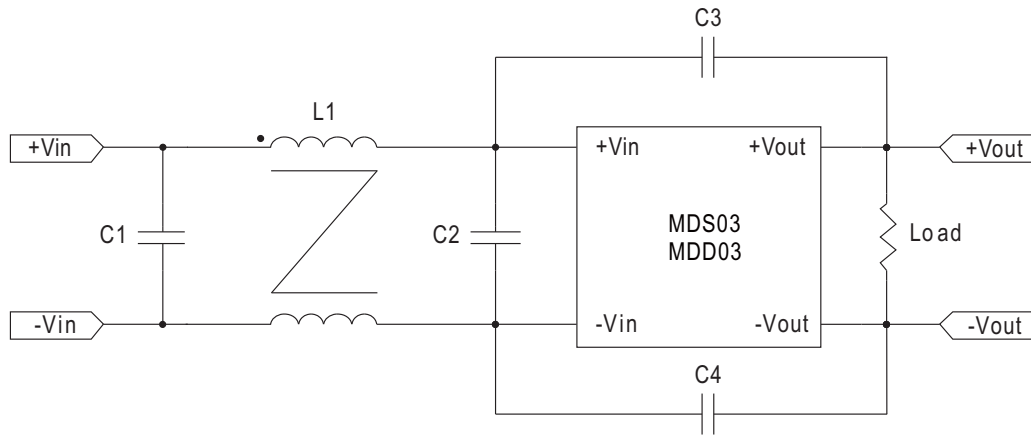
Pin-Out		
Pin No.	MDS03 (Single output)	MDD03 (Dual output)
1	+Vin	+Vin
10	No pin	No pin
11	No pin	Common
12	-Vout	No pin
13	+Vout	-Vout
15	No pin	+Vout
23,24	-Vin	-Vin

Derating Curve



■ EMC Suggestion Circuit

※Required external components to meet BS EN/EN55011 class B emission are as below:



	C1	C2	C3	C4	L1
MDS03F	10 μ F/50V MLCC	10 μ F/50V MLCC	X	X	450 μ H Common Mode Choke
MDS03G	4.7 μ F/100V MLCC	4.7 μ F/100V MLCC	X	X	450 μ H Common Mode Choke