

## 10W Compact Fixed Blade USB Adapter



### Features

- Fixed Blade
- Very low leakage
- Level VI Compliant
- Low Cost
- OVP, OCP and short circuit protection

### Applications

- Tablets
- Portable GPS Devices
- Personal Electronics
- Digital Camera

### Safety Approvals

- cULus 62368-1
- CB (IEC62368-1)
- CE

### Output Specifications

Model	DC Output Voltage	Max Load	Ripple <sup>1</sup> (pk-pk)	Regulation		Plug Type	Safety Approvals	Case Color
				Line	Load			
AQ10A-050B-H <sup>2</sup>	5V	2.4A	150mV	±5%		US	UL	Black
AQ10A-050BP-H <sup>3</sup>	5V	2.4A	150mV	±5%		US	UL	Black
AQ10A-050BW-H <sup>2</sup>	5V	2.4A	150mV	±5%		US	UL	White
AQ10E-050B-H <sup>2</sup>	5V	2.4A	150mV	±5%		EU	CE/CB	Black
AQ10E-050BP-H <sup>3</sup>	5V	2.4A	150mV	±5%		EU	CE/CB	Black
AQ10E-050BW-H <sup>2</sup>	5V	2.4A	150mV	±5%		EU	CE/CB	White
AQ10K-050B-H <sup>2</sup>	5V	2.4A	150mV	±5%		UK	CE/CB	Black
AQ10K-050BW-H <sup>2</sup>	5V	2.4A	150mV	±5%		UK	CE/CB	White

#### Notes

1. Measuring is done by 20MHz bandwidth oscilloscope and terminated each output with a 10uF aluminum electrolytic capacitor and a 0.1uF ceramic capacitor.
2. Special Order MOQ
3. The AQ10A-050BP-H and AQ10E-050BP-H support 5 charging methods:
  - a. Divider 1 (DCP Applying 2V on D+ Line and 2.7V on D- Line)
  - b. Divider 2 (DCP Applying 2.7V on D+ Line and 2V on D- Line)
  - c. USB Battery Charging Specification Revision 1.2 (BC1.2)
  - d. Chinese Telecommunications Industry Standard YD/T 1591-2009
  - e. 1.2V on both D+ and D- lines

**AQ10 Characteristics<sup>1</sup>****INPUT:****AC Input Voltage Rating**

100 to 240VAC

**AC Input Voltage Range**

90 to 264VAC

**AC Input Current**

0.28A (RMS) max at 115VAC/60Hz

0.16A (RMS) max at 230VAC/50Hz

**Leakage Current**

125uA max @264Vac/50Hz

**Inrush Current (cold)**

&lt;60A max @230VAC/50Hz

(Cold start @ ambient 25°C)

**Input Power Saving**

≤75mW @no load at 230VAC/50Hz

**OUTPUT:****Power**

10W Continuous

**Efficiency<sup>2</sup>**

DOE Level VI

CoC V5 Tier 2

**Hold-up Time**

6mS min at 115Vac/60Hz

**ENVIRONMENTAL:****Temperature**

Operation 0°C to +40°C

Non-operation -20°C to +70°C

Humidity 90%

**Emissions**

Complies with FCC Class B

Complies with EN55032 Class B

**Immunity**

ESD: EN61000-4-2

RS: EN61000-4-3

EFT: EN61000-4-4

Surge: EN61000-4-5

Dip: EN61000-4-11

**Dielectric Withstand (Hi-pot) Test**Primary to Secondary: 3000VAC, 10mA,  
for 1min**Insulation Resistance**Primary to Secondary: >10M ohm 500VDC,  
1 min**FEATURES****Over-voltage Protection**

Output voltage shall not exceed 8V

**Over-current Protection**

Output current shall not exceed 3A

**Short Circuit Protection**

Auto recovery and no component damage

**DC Output Connector**

USB A

## Notes:

1. The characteristics defined are at ambient temperature of 25°C unless otherwise specified
2. Efficiency is measured after 30 minutes burn-in

### Mechanical Characteristics – US Models

- Length: 47mm (1.85in)
- Width: 38mm (1.49in)
- Height: 22.3mm (0.88in)
- Weight: 40g (1.41oz)

### Mechanical Characteristics – EU Models

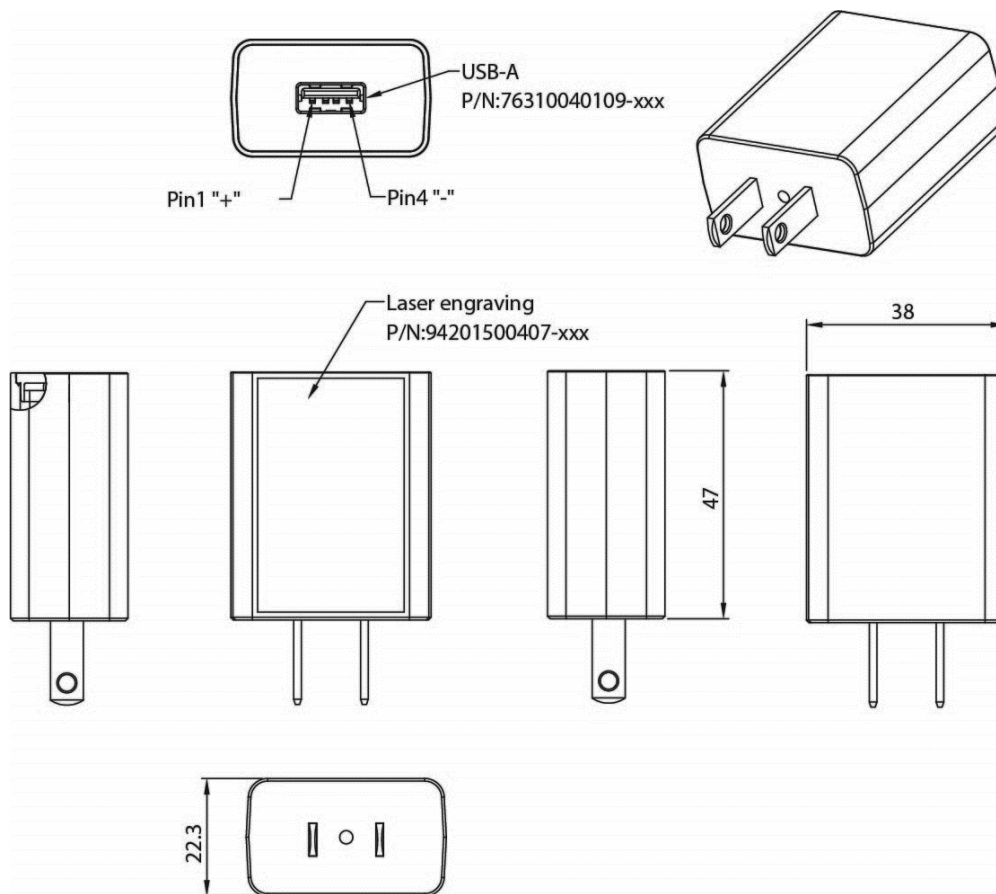
- Length: 59.1mm (2.17in)
- Width: 38mm (1.49in)
- Height: 22.3mm (0.88in)
- Weight: 40g (1.41oz)

### Mechanical Characteristics – UK Models

- Length: 57mm (2.17in)
- Width: 48.3mm (1.90in)
- Height: 22.3mm (0.88in)
- Weight: 40g (1.41oz)

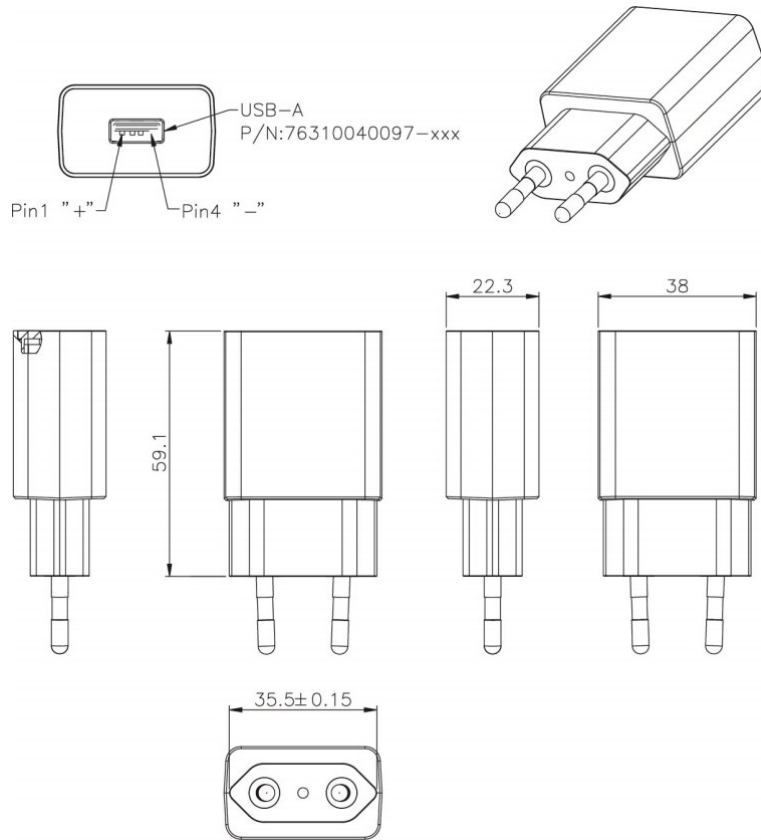
### US Models

### Dimension Diagram Unit: mm



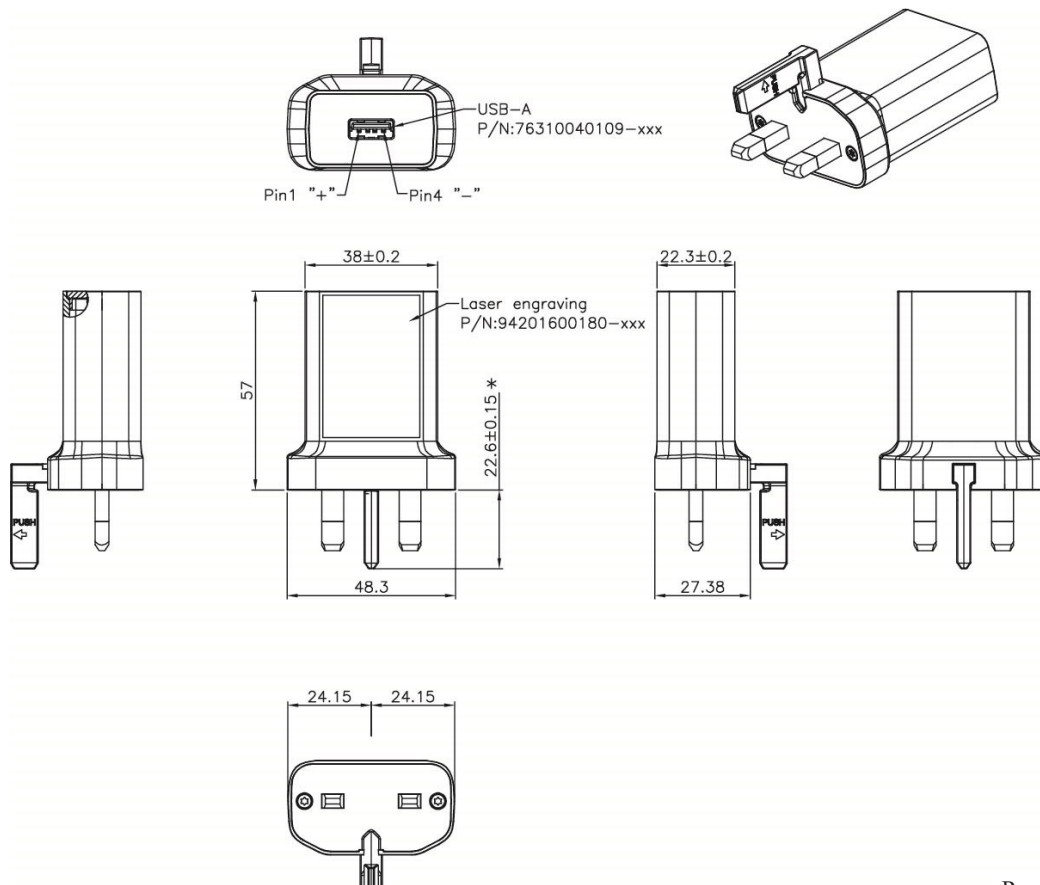
EU Models

Dimension Diagram Unit: mm



UK Models

Dimension Diagram Unit: mm



Revised 2/10/2020