

18W Power Delivery USB Type-C Interchangeable AC Plug Adapter



Features

- USB Power Delivery 3.0
- US DoE Level VI Compliance
- Ecodesign/ErP Lot 7 (EU) 2019/1782 Compliance
- CoC Version 5 Tier 2 Compliance
- Korean MEPS Compliance
- Interchangeable Clips (sold separately)

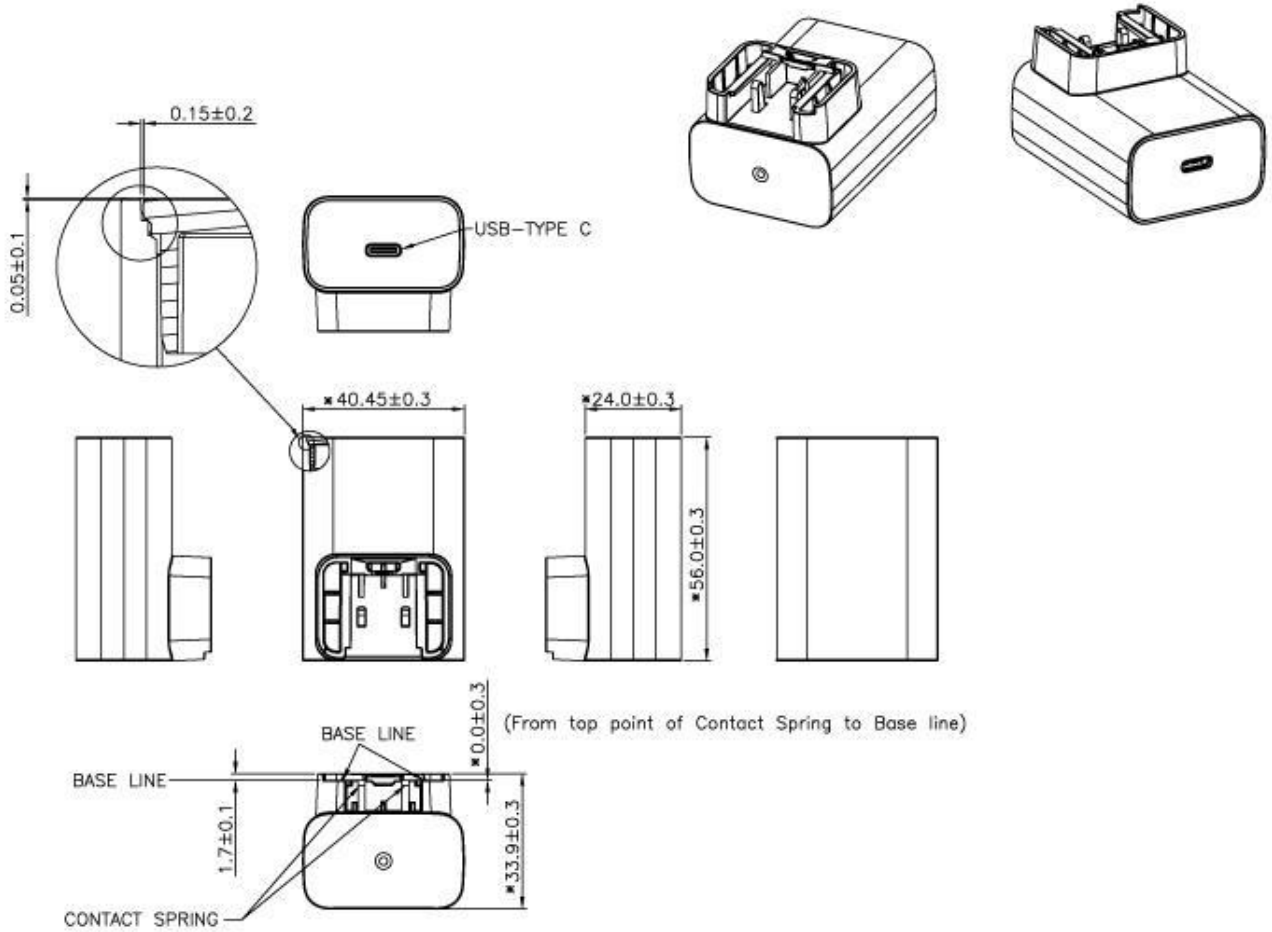
Applications

- Wireless Communications
- Portable Equipment
- Peripherals
- Consumer Electronics

AN18V-59CFAA-H Specifications¹

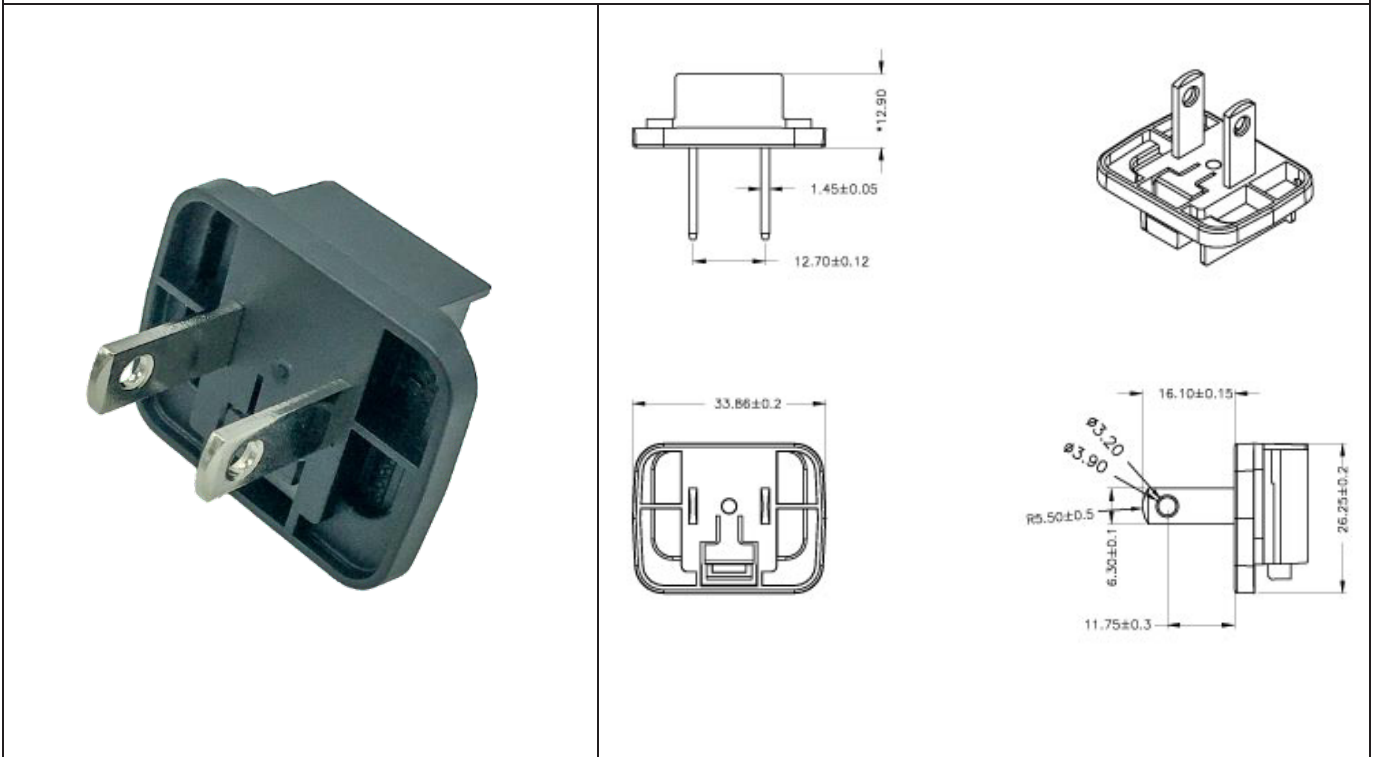
Model		AN18V-59CFAA-H
Output	DC Output Voltage	5.0V/9.0V/12.0V/15.0V
	Max Current	3.0A/2.0A/1.5A/1.2A
	Output Power	15.0W/18.0W/18.0W/18.0W
	Regulation	± 5%
	Ripple & Noise P-P(max) ²	200mV
Input	AC Input Voltage Range	90 to 264VAC
	AC Input Frequency	47 to 63Hz
	Input Current	0.5A(RMS) max at 100VAC
	Inrush Current	70A max (Cold Start at ambient 25°C, full load)
	No Load Power Consumption at 115VAC Input	0.017W
	No Load Power Consumption at 230VAC Input	0.015W
	115VAC Average Efficiency ³	5V: 83.11%, 9V: 86.06%, 12V: 86.37%, 15V: 85.91%
	230VAC Average Efficiency ³	5V: 83.66%, 9V: 87.36%, 12V: 87.0%, 15V: 86.83%
	230VAC 10% Load Efficiency ³	5V: 82.11%, 9V: 82.68%, 12V: 79.93%, 15V: 75.94%
	Leakage Current	100uA max
Protection	Over-Voltage	5V/6.25V max, 9V/11.25V max, 12V/15V max, 15V/18.75V max
	Short Circuit	Output can be shorted without damage
	Over-Current	110~135%
	Over Temperature	Latch off function
Environmental	Operating Temperature	0°C to +40°C
	Non-Operating Temperature	-20°C to +70°C
	Operating Humidity	5 to +95%
Safety Approvals and EMC	Dielectric Withstand (HI-POT)	Primary to Secondary: 3600VAC for 2 secs, 3mA
	Insulation Resistance	Pri. to Sec.: >30M oh 500VDC
	Standards	cULus 62368-1, IEC 62368-1, AS/NZS 62368.1:2018, PSE, CCC, KC, BIS
	EMI Emissions	FCC Part 15 Class B, EN 55032/CISPR 32, AS/NZS CISPR 32:2015, KCC Class B Conducted and Radiated
	Harmonic Current Emissions	IEC 61000-3-2
	Voltage Fluctuations & Flicker	IEC 61000-3-3
	Immunity	EN 55035/CISPR 35: IEC 61000-4-2 (+/- 15kV air, +/-8kV contact), IEC 61000-4-3, IEC 61000-4-4, IEC 61000-4-5 (+/-2kV), IEC 61000-4-6, IEC 61000-4-8, IEC 61000-4-11
Mechanical	Dimensions (L x W x H)	56.0mm (2.20in) x 40.45mm (1.59in) x 33.9mm (1.33in)
	DC Output Connector	USB-C
Notes	1. The specifications defined are at ambient temperature of 25°C, unless otherwise specified. 2. 20MHz bandwidth frequency oscilloscope, add a 0.1µF multilayer Cap. and Low ESR Electrolytic Cap. (10µF) at output connector terminals (nominal line voltage, full load). 3. Efficiency is measured after 30 minutes burn-in.	

AN18V-59CFAA-H Outline Drawing

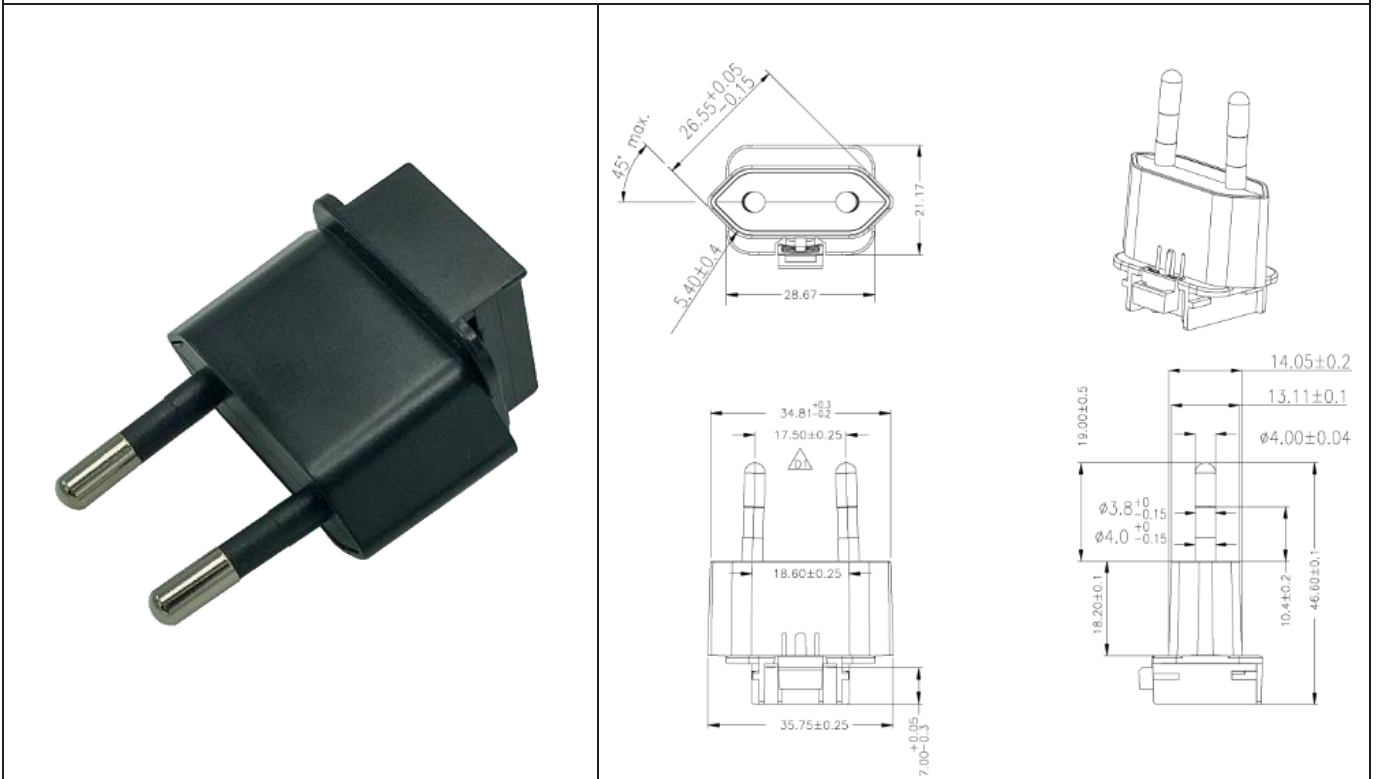


AC Clips - Sold Separately

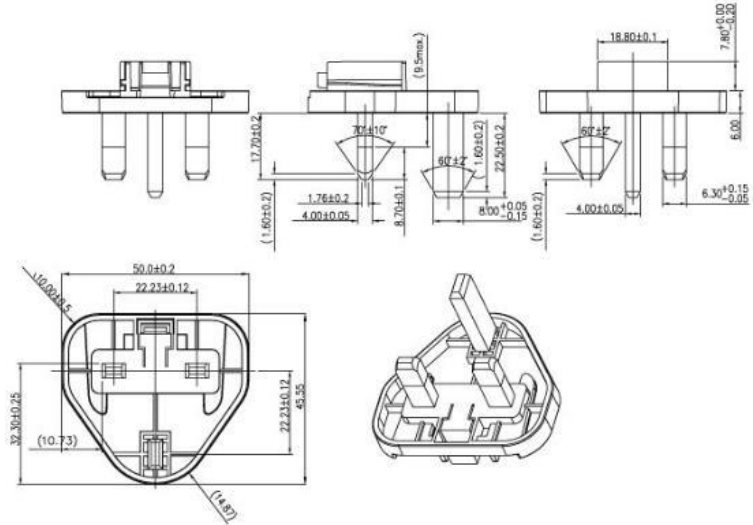
USA CLIP: VPA-AA02B-H



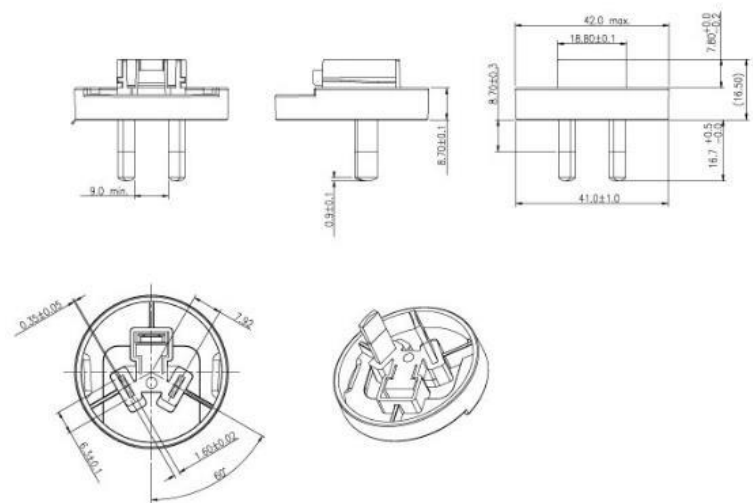
EUROPE CLIP: VPE-AA02B-H



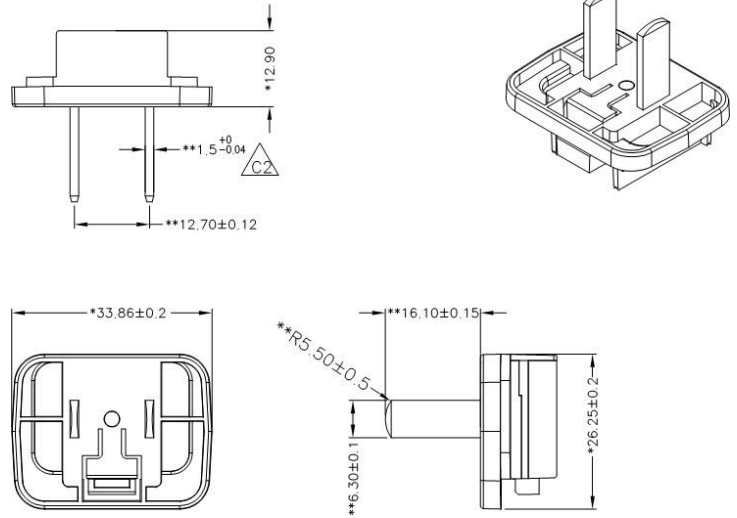
UK CLIP: VPK-AA02B-H



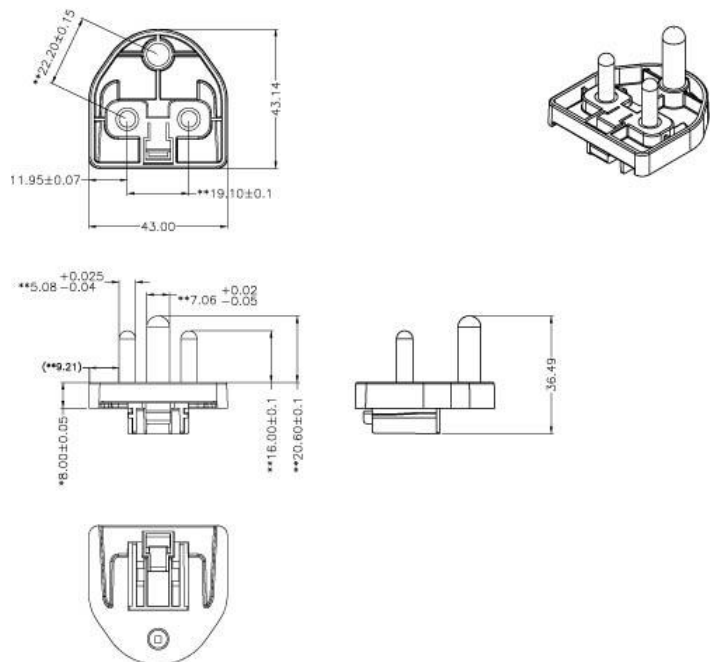
AUSTRALIA CLIP: VPS-AA02B-H



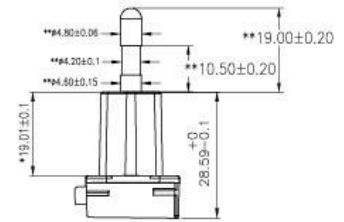
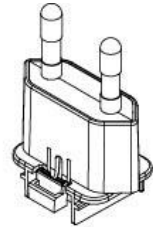
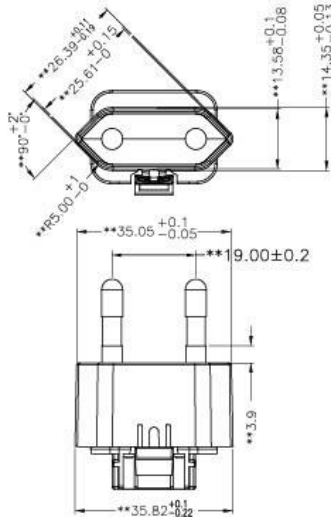
CHINA CLIP: VPC-AA02B-H



INDIA CLIP: VPI-AA02B-H

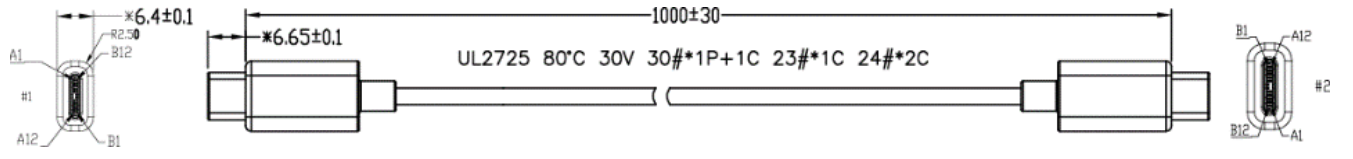


KOREA CLIP: VPH-AA02B-H

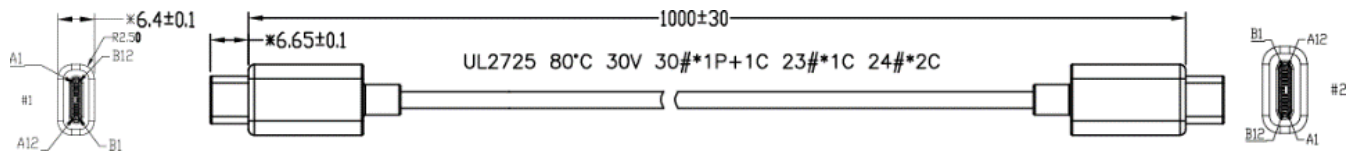


USB-C Cables - Sold Separately

UES-1001A160: Low Drop Type-C USB Cable – 1 Meter – 23AWG on Power – 30AWG on Data – Black (mm)



UES-1003A160-RW: Low Drop Type-C USB Cable – 1 Meter – 23AWG on Power – 30AWG on Data – White (mm)



Revised 2/28/2023