

5W Compact Fixed Blade Power Adapter (North America)



Features

- Fixed Blade
- Halogen Free
- Level VI Compliant
- Low Cost
- No Load Power Draw <0.03W
- Low Profile

Applications

- Smart Phones
- PDAs
- Personal Electronics
- Digital Cameras

Safety Approvals

- cUL/UL60950-1
- cUL/UL62368-1
- PSE
- BSMI
- CB

Mechanical Characteristics

- Length: 42mm (1.65in)
- Width: 43mm (1.65in)
- Height: 21.0mm (0.87in)

Output Specifications

Model	DC Output Voltage	Load		Ripple ¹ P-P (Max)	Regulation		Case Color
		Min.	Max.		Line	Load	
PSA05A-050QL6-H	5V	0A	1A	200mV	±5%		Black
PSA05A-050QL6W-H	5V	0A	1A	200mV	±5%		White

Notes: (1) Measured after 10 minutes with by-pass capacitors 0.1uF / 10uF at output connector terminal and oscilloscope set at 20MHz.

PSA05A-050QL6 Characteristics**INPUT:****AC Input Voltage Rating**

100 to 240VAC

AC Input Voltage Range

90 to 264VAC

AC Input Current

0.15A(RMS) max.

Leakage Current5 μ A maximum**Input Power Saving**

<30mW @115VAC/230VAC

OUTPUT:**Power**

5W Continuous

Efficiency

DOE Level VI

ENVIRONMENTAL:**Temperature**

Operation	0 to +40°C
Non-operation	-40 to +85°C
Humidity	90%

Immunity

ESD:	EN61000-4-2. Level 3
Surge:	EN61000-4-5. Level 3

Emissions

Complies with FCC Class B

Complies with EN55032 Class B

Dielectric Withstand (Hi-pot) Test

Primary to Secondary: 3000VAC, 10mA for 1 minute. Primary to Secondary: 3300VAC, 10mA, 3 seconds for production line test

Insulation Resistance

Primary to Secondary: 10M ohm 500VDC

FEATURES**Short Circuit Protection**

Auto-restart

Over Voltage Protection

5.5V ~ 7V

Over Current Protection

105% ~140% @ CC mode

MTBF

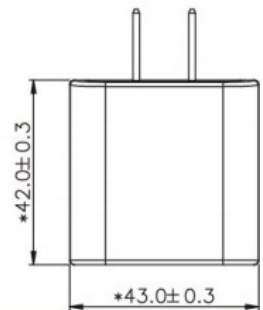
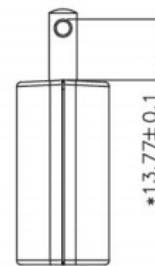
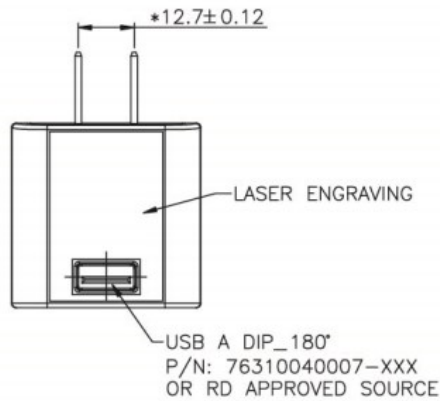
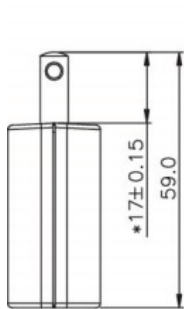
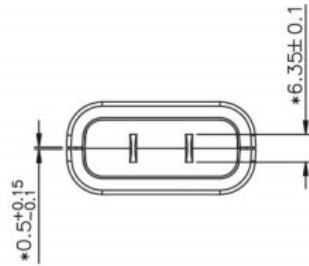
100K hours min(MIL-HDBK-217F) at 120VAC, max load(measured at ambient 25°C)

DC Output Connector

USB A

PSA05A-050QL6-H Outline

Dimension Diagram Unit: mm



Revised 1/8/2020